

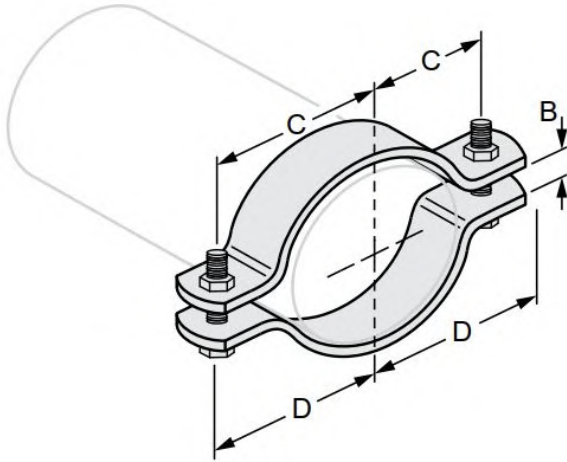


G-STRUT 4100 13<sup>th</sup> Street SW, Canton OH 44710

Phone: 866.997.8788 – Fax: 330.477.0626

[www.gregorystrut.com](http://www.gregorystrut.com)

## HEAVY DUTY PIPE CLAMP – SERIES W511



**Size Range:** 3" through 24" pipe size.

**Material:** Low Carbon Steel.

**Finish:** Plain.

**Ordering:** Specify pipe size; finish and series #.

**Approvals:** Complies with Federal Specifications A-A1192A (Type 4) and Manufacturers' Standardization Society ANSI/SP-69 and SP-58 (type 4).

**Function:** Designed to be used in the suspension of non-insulated pipe lines where heavier loads are to be suspended. Normally used in conjunction with Series W715 weldless eye nut or Series W868 welded eye rod to allow flexibility at the rod attachment.

**Available In:** Electro-Galvanized, 304 & 316 Stainless Steel.

All pipe clamps are plain steel.  
To order other finishes, change the 5th character in the Part # as seen below:

STAINLESS STEEL (304) = 8

STAINLESS STEEL (316) = 0

ELECTRO-GALVANIZED = 2

Example: **W511**~~2~~**30** = ELECTRO-GALV  
**2**

PART #	PIPE SIZE	BOLT SIZE	SIZE (B)	SIZE (C)	SIZE (D)	MAXIMUM REC. LOAD(lbs.)		LBS./100pcs
						650 F	750 F	
W511130	3"	3/4"	1"	3"	4-1/8"	3370	3005	496
W511134	3-1/2"	3/4"	1"	3-1/4"	4-3/8"	3370	3005	536
W511140	4"	7/8"	1"	3-11/16"	4-15/16"	3515	3135	574
W511150	5"	7/8"	1"	4-5/16"	5-9/16"	3515	3135	713
W511160	6"	1"	1-1/8"	5-3/16"	6-11/16"	4865	4340	1348
W511180	8"	1"	1-1/8"	6-1/4"	8-1/4"	4865	4340	1578
W5111100	10"	1-1/4"	1-1/4"	7-7/8"	9-7/8"	6010	5360	2420
W5111120	12"	1-1/2"	1-5/8"	9-1/2"	11-7/8"	8675	7740	4154
W5111140	14"	1-1/2"	1-5/8"	10-1/8"	12-1/4"	9120	8135	5325
W5111160	16"	1-1/2"	1-5/8"	11-3/16"	13-15/16"	9120	8135	5635
W5111180	18"	1-1/2"	1-5/8"	12-3/16"	15-1/4"	9150	8160	7012
W5111200	20"	1-1/2"	1-5/8"	13-5/16"	15-13/16"	9150	8160	7468
W5111240	24"	1-1/2"	1-3/4"	15-3/8"	17-3/4"	9200	8205	12629

PROJECT INFORMATION	APPROVAL STAMP
Project:	Notes:
Address:	
Contractor:	
Engineer:	
Date:	
Approved <input type="checkbox"/> Approved as Noted <input type="checkbox"/> Not Approved <input type="checkbox"/>	