

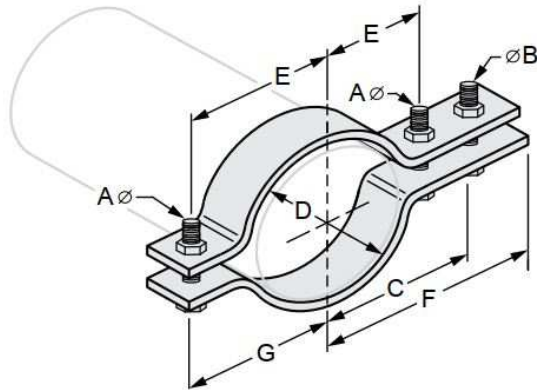


G-STRUT 4100 13th Street SW, Canton OH 44710

Phone: 866.997.8788 – Fax: 330.477.0626

www.gregorystrut.com

DOUBLE BOLT PIPE CLAMP – SERIES W520



- Size Range:** 3/4" through 36" pipe size.
- Material:** Carbon Steel.
- Finish:** Plain.
- Ordering:** Specify pipe size; finish and series #.
- Function:** Recommended for the suspension of insulated pipe lines normally used with weldless eye nut.
- Available In:** Electro-Galvanized, 304 & 316 Stainless Steel.

All pipe clamp are plain steel.
To order other finishes, change the 5th character in the Part # as seen below:
STAINLESS STEEL (304) = 8
STAINLESS STEEL (316) = 0
ELECTRO-GALVANIZED = 2
Example: W520.106 = ELECTRO-GALV
2

PART #	PIPE SIZE	BOLT SIZE (A)	BOLT SIZE (B)	SIZE (C)	SIZE (D)	SIZE (E)	SIZE (F)	SIZE (G)	MAXIMUM REC. LOAD (lbs.)		LBS./100pcs
									650 F	750 F	
W520106	3/4"	3/8"	3/8"	2-3/4"	1"	1-3/8"	3-1/2"	2"	950	850	83
W520110	1"	3/8"	3/8"	2-7/8"	1/1/4"	1-3/8"	3-1/2"	2"	950	850	102
W520112	1-1/4"	3/8"	3/8"	3"	1-5/8"	1-1/2"	3-1/2"	2"	950	850	102
W520114	1-1/2"	1/2"	5/8"	4-5/8"	2"	2"	5-1/4"	2-5/8"	1545	1380	230
W520120	2"	1/2"	5/8"	4-3/4"	2-3/8"	2-1/8"	5-3/8"	2-3/4"	1545	1380	260
W520124	2-1/2"	1/2"	5/8"	5"	2-7/8"	2-1/2"	5-5/8"	3"	1545	1380	271
W520130	3"	1/2"	5/8"	5-3/8"	3-1/2"	2-3/4"	6"	3-3/8"	1545	1380	303
W520134	3-1/2"	1/2"	5/8"	5-5/8"	4"	3"	6-1/4"	3-5/8"	1545	1380	328
W520140	4"	5/8"	3/4"	7"	4-1/2"	4"	8"	5"	2500	2230	667
W520150	5"	5/8"	3/4"	7-5/8"	5-1/2"	4-5/8"	8-5/8"	5-5/8"	2500	2230	705
W510160	6"	3/4"	7/8"	8-5/8"	6-5/8"	5-1/8"	9-7/8"	6-3/8"	2865	2555	1145
W520180	8"	3/4"	7/8"	9-7/8"	8-5/8"	6-3/8"	11-1/8"	7-5/8"	2865	2555	1345
W5201100	10"	7/8"	1"	11-1/8"	10-3/4"	7-5/8"	12-3/8"	8-7/8"	3240	2890	1980
W5201120	12"	7/8"	1"	12-1/2"	12-3/4"	9"	13-3/4"	10-1/4"	3240	2890	2225
W5201140	14"	7/8"	1-1/4"	13-1/2"	14"	10"	15"	11-1/2"	4300	3835	3768
W5201160	16"	7/8"	1-1/4"	14-1/4"	16"	10-5/8"	15-3/4"	12-1/8"	4300	3835	4140
W5201180	18"	1"	1-1/4"	15-1/2"	18"	11-3/4"	16-5/8"	13-1/4"	4300	3835	4487
W5201200	20"	1-1/4"	1-3/8"	16-1/2"	20"	13"	18"	14-1/2"	5490	4900	5725
W5201240	24"	1-1/4"	1-3/8"	18-3/4"	24"	15-1/4"	20-1/4"	16-3/4"	4500	4015	6590
W5201300	30"	1-3/8"	1-3/8"	23"	30"	19"	26"	22"	8000	-	19502
W5201360	36"	1-3/8"	1-3/4"	28-7/8"	36"	22-1/8"	32-3/8"	22-5/8"	8000	-	23488

PROJECT INFORMATION	APPROVAL STAMP
Project:	Notes:
Address:	
Contractor:	
Engineer:	
Date:	
Approved <input type="checkbox"/> Approved as Noted <input type="checkbox"/> Not Approved <input type="checkbox"/>	