

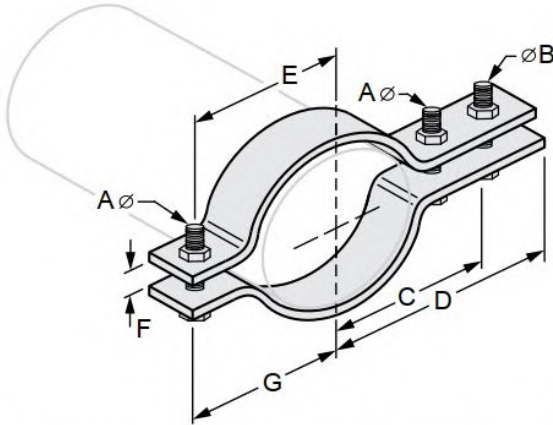


G-STRUT 4100 13th Street SW, Canton OH 44710

Phone: 866.997.8788 – Fax: 330.477.0626

www.gregorystrut.com

DOUBLE BOLT PIPE CLAMP – SERIES W521



Size Range: 3/4" through 24" pipe size.

Material: Low Carbon Steel.

Finish: Plain.

Ordering: Specify pipe size; finish and series #.

Approvals: Complies with Federal Specifications A-A-1192A (Type 3) and Manufacturers' Standardizations ANSI/SP-69 and SP-58 (Type 3).

Function: Designed for the suspension of high temperature insulated pipe lines. Normally used in conjunction with Series W715 weldless eye nut or Series W868 welded eye rod to allow flexibility at the rod attachment. The clamp can be used with up to 4" of insulation and temperatures up to 750 F.

Available In: Electro-Galvanized, 304 & 316 Stainless Steel.

All pipe clamps are plain steel.
To order other finishes, change the 5th character in the Part # as seen below:
STAINLESS STEEL (304) = 8
STAINLESS STEEL (316) = 0
ELECTRO-GALVANIZED = 2
Example: **W521 2 06** = ELECTRO-GALV
2

PART #	PIPE SIZE	BOLT SIZE (A)	BOLT SIZE (B)	SIZE (C)	SIZE (D)	SIZE (E)	SIZE (F)	SIZE (G)	MAXIMUM REC. LOAD(lbs.)		LBS./100pcs
									650 F	750 F	
W521106	3/4"	3/8"	3/8"	2-13/16"	3-7/16"	1-3/8"	5/8"	2"	950	850	83
W521110	1"	3/8"	3/8"	2-7/8"	3-1/2"	1-3/8"	5/8"	2"	950	850	102
W521112	1-1/4"	3/8"	3/8"	2-15/16"	3-9/16"	1-7/16"	5/8"	2-1/16"	950	850	107
W521114	1-1/2"	1/2"	5/8"	4-5/8"	5-1/4"	2"	1"	2-5/8"	1545	1380	230
W521120	2"	1/2"	5/8"	4-3/4"	5-3/8"	2-1/8"	1"	2-3/4"	1545	1380	260
W521124	2-1/2"	1/2"	5/8"	5-1/16"	5-11/16"	2-7/16"	1"	3-1/16"	1545	1380	271
W521130	3"	1/2"	5/8"	5-3/8"	6"	2-3/4"	1"	3-3/8"	1545	1380	303
W521134	3-1/2"	1/2"	5/8"	5-11/16"	6-5/16"	3-1/16"	1"	3-11/16"	1545	1380	328
W521140	4"	5/8"	3/4"	7-1/16"	8-1/16"	4-1/16"	1"	5-1/16"	2500	2230	667
W521150	5"	5/8"	3/4"	7-5/8"	8-5/8"	4-5/8"	1"	5-5/8"	2500	2230	705
W521160	6"	3/4"	7/8"	8-5/8"	9-7/8"	5-1/8"	1-1/2"	6-3/8"	2865	2555	1145
W521180	8"	3/4"	7/8"	9-7/8"	11-1/8"	6-3/8"	1-1/2"	7-5/8"	2865	2555	1345
W5211100	10"	7/8"	1"	11-1/8"	12-3/8"	7-5/8"	1-1/2"	8-7/8"	3240	2890	1980
W5211120	12"	7/8"	1"	12-1/2"	13-3/4"	9"	1-1/2"	10-1/4"	3240	2890	2225
W5211140	14"	7/8"	1-1/4"	13-9/16"	15-1/16"	9-15/16"	1-1/2"	11-7/16"	4300	3835	3768
W5211160	16"	7/8"	1-1/4"	14-5/16"	15-13/16"	10-11/16"	1-1/2"	12-3/16"	4300	3835	4140
W5211180	18"	1"	1-1/4"	15-7/16"	16-11/16"	11-13/16"	1-1/2"	13-5/16"	4300	3835	4487
W5211200	20"	1-1/8"	1-3/8"	16-1/2"	18"	13"	2"	14-1/2"	4500	4015	5725
W5211240	24"	1-1/4"	1-3/8"	18-3/4"	20-1/4"	15-1/4"	2"	16-3/4"	5490	4900	6590

PROJECT INFORMATION	APPROVAL STAMP
Project:	Notes:
Address:	
Contractor:	
Engineer:	
Date:	
Approved <input type="checkbox"/> Approved as Noted <input type="checkbox"/> Not Approved <input type="checkbox"/>	