



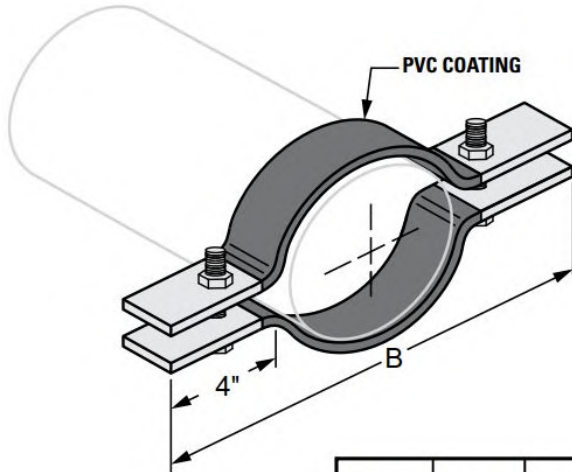
G-STRUT 4100 13<sup>th</sup> Street SW, Canton OH 44710

Phone: 866.997.8788 – Fax: 330.477.0626

[www.gregorystrut.com](http://www.gregorystrut.com)

## IRON PIPE RISER CLAMP – SERIES W530

-PVC COATED-



- Size Range:** 1/2" through 12" pipe size.
- Material:** Carbon Steel.
- Finish:** Plain with PVC Coating.
- Ordering:** Specify rod size; pipe size; finish and series #.
- Approvals:** Complies with Federal Specification WW-H-171E (Type 8) and Manufacturers Standardization Society MSS-SP-69 (Type 8).
- Function:** Recommended for supporting and stabilizing vertical pipe runs. The PVC Coating provides a barrier between the riser clamp and pipe.

PART #	PIPE SIZE	SIZE (B)	MAXIMUM RECOMMENDED LOAD(lbs.)	CARTON QTY.	LBS./100pcs
W530504	1/2"	9-1/2"	255	25	121
W530506	3/4"	9-1/2"	255	25	130
W530510	1"	9-3/4"	255	25	134
W530512	1-1/4"	10-1/4"	255	25	142
W530514	1-1/2"	10-3/4"	255	25	150
W530520	2"	11-1/2"	255	25	160
W530524	2-1/2"	12"	390	25	190
W530530	3"	13"	530	20	245
W530534	3-1/2"	14-1/2"	670	BULK	260
W530540	4"	15"	810	BULK	310
W530550	5"	16-3/4"	1160	BULK	350
W530560	6"	18-1/2"	1570	BULK	380
W530580	8"	22-1/4"	2500	BULK	726
W5305100	10"	22"	2500	BULK	1140
W5305200	12"	22-1/2"	2700	BULK	1610

PROJECT INFORMATION	APPROVAL STAMP
Project:	Notes:
Address:	
Contractor:	
Engineer:	
Date:	
Approved <input type="checkbox"/> Approved as Noted <input type="checkbox"/> Not Approved <input type="checkbox"/>	