

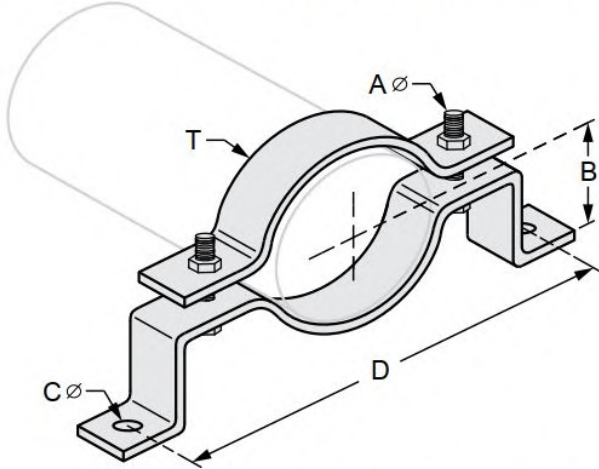


G-STRUT 4100 13th Street SW, Canton OH 44710

Phone: 866.997.8788 – Fax: 330.477.0626

www.gregorystrut.com

OFFSET PIPE CLAMP – SERIES W540



Size Range: 3/4" through 12" pipe size.

Material: Carbon Steel.

Finish: Plain.

Ordering: Specify rod size; pipe size; finish and series #.

Function: Design to be used in the clamping of pipe lines at a fixed distance away from the floor or wall.

Available In: 304 & 316 Stainless Steel

PART #	PIPE SIZE	SIZE (A)	SIZE (B)	SIZE (C)	SIZE (D)	THICKNESS (T)	MAXIMUM RECOMMENDED LOAD(lbs.)	CARTON QTY.	LBS./100pcs
W540106	3/4"	3/8"	2-1/2"	7/16"	5-7/8"	7 ga. x 1-1/4"	190	100	87
W540110	1"	3/8"	2-5/8"	7/16"	6"	7 ga. x 1-1/4"	190	100	92
W540112	1-1/4"	3/8"	2-3/4"	7/16"	6-1/2"	7 ga. x 1-1/4"	190	100	115
W540114	1-1/2"	3/8"	3"	7/16"	6-1/2"	7 ga. x 1-1/4"	190	100	124
W540120	2"	3/8"	3-1/4"	7/16"	7-5/8"	3 ga. x 1-1/4"	420	100	156
W540124	2-1/2"	3/8"	3-1/2"	7/16"	8-3/8"	3 ga. x 1-1/4"	420	100	178
W540130	3"	3/8"	3-1/2"	7/16"	8-3/4"	3 ga. x 1-1/4"	420	100	198
W540134	3-1/2"	1/2"	4"	7/16"	9-3/4"	3 ga. x 1-1/4"	420	100	245
W540140	4"	1/2"	4-1/4"	9/16"	11"	3 ga. x 1-1/4"	610	50	300
W540150	5"	1/2"	4-3/4"	9/16"	12-1/8"	3 ga. x 1-1/4"	610	25	350
W540160	6"	1/2"	5-1/4"	9/16"	14-3/8"	3/8. x 1-1/2"	870	25	650
W540180	8"	1/2"	6-1/4"	9/16"	16-1/2"	3/8. x 1-1/2"	870	25	790
W5401100	10"	5/8"	7-3/4"	11/16"	19-1/8"	3/8. x 2"	870	25	1270
W5401120	12"	5/8"	8-7/8"	11/16"	25-1/2"	3/8. x 2"	870	20	2120

All above pipe clamps are plain steel. To order other finishes, change the 5th character in the Part # as seen below:
 STAINLESS STEEL (304) = 8
 STAINLESS STEEL (316) = 0
 Example: **W540106** = STAINLESS STEEL (304)
8

PROJECT INFORMATION	APPROVAL STAMP
Project:	Notes:
Address:	
Contractor:	
Engineer:	
Date:	
Approved <input type="checkbox"/> Approved as Noted <input type="checkbox"/> Not Approved <input type="checkbox"/>	