

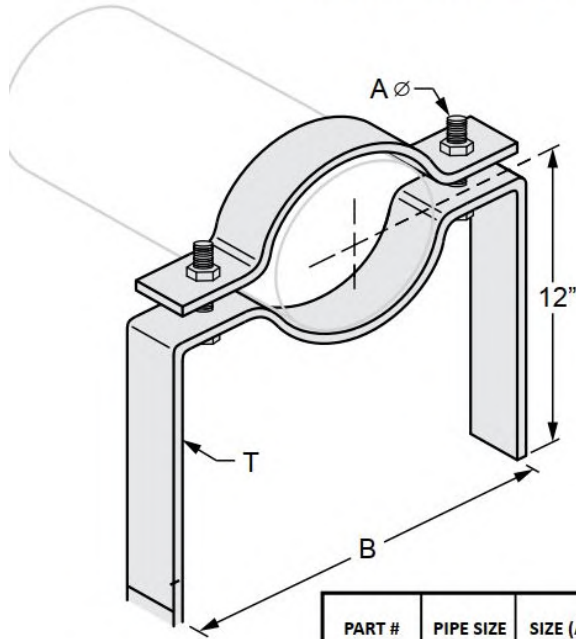


G-STRUT 4100 13<sup>th</sup> Street SW, Canton OH 44710

Phone: 866.997.8788 – Fax: 330.477.0626

[www.gregorystrut.com](http://www.gregorystrut.com)

## EXTENDED PIPE CLAMP – SERIES W550



- Size Range:** 3/4" through 8" pipe size.
- Material:** Carbon Steel.
- Finish:** Plain.
- Ordering:** Specify rod size; pipe size; finish and series #.
- Function:** Design for direct welding of hanger to steel structure.
- Available In:** 304 & 316 Stainless Steel

PART #	PIPE SIZE	SIZE (A)	SIZE (B)	THICKNESS (T)	LBS./100pcs
W550106	3/4"	3/8"	4-1/8"	7 ga. x 1-1/4"	182
W550110	1"	3/8"	4-1/4"	7 ga. x 1-1/4"	225
W550112	1-1/4"	3/8"	4-3/4"	7 ga. x 1-1/4"	239
W550114	1-1/2"	3/8"	5"	7 ga. x 1-1/4"	244
W550120	2"	3/8"	6"	3 ga. x 1-1/4"	319
W550124	2-1/2"	3/8"	6-1/2"	3 ga. x 1-1/4"	334
W550130	3"	3/8"	7"	3 ga. x 1-1/4"	354
W550140	4"	1/2"	9"	3 ga. x 1-1/2"	475
W550150	5"	1/2"	10-1/8"	3 ga. x 1-1/2"	475
W550160	6"	1/2"	12"	3ga. x 2"	383
W550180	8"	1/2"	14-1/8"	3ga. x 2"	925

All above pipe clamps are plain steel. To order other finishes, change the 5th character in the Part # as seen below:  
 STAINLESS STEEL (304) = 8  
 STAINLESS STEEL (316) = 0  
 Example: **W550106** = STAINLESS STEEL (304)  
**8**

PROJECT INFORMATION	APPROVAL STAMP
Project:	Notes:
Address:	
Contractor:	
Engineer:	
Date:	
Approved <input type="checkbox"/> Approved as Noted <input type="checkbox"/> Not Approved <input type="checkbox"/>	