

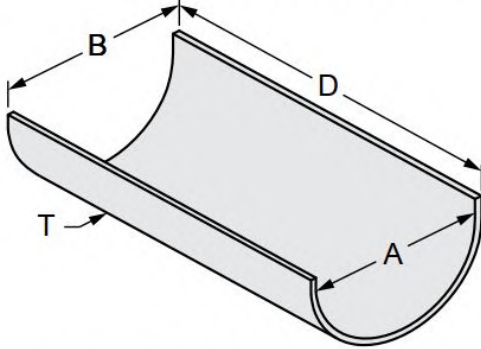


G-STRUT 4100 13th Street SW, Canton OH 44710

Phone: 866.997.8788 – Fax: 330.477.0626

www.gregorystrut.com

INSULATION PROTECTION SHIELD – SERIES W560



Size Range: Sizes 0 through 20 pipe size (see table below).

Material: Carbon Steel.

Finish: Electro-Galvanized.

Ordering: Specify shield size; pipe size; finish, insulation thickness and series #.

Function: Design to protect pipe insulation from crushing when used with hangers.

Available In: Pre-Galvanized, 304 & 316 Stainless Steel.

All protection shields are electro-galv. To order other finishes, change the 5th character in the Part # as seen below:

STAINLESS STEEL (304) = 8

STAINLESS STEEL (316) = 0

PRE-GALVANIZED = 4

Example: W560²00 = PRE-GALV
4

NOMINAL PIPE SIZE

	1/2"	3/4"	1"	1-1/2"	2"
1/2"	0	1			
3/4"	1	1	2	4	6
1"	1	2	3	5	7
1-1/4"	2	3	3	6	7
1-1/2"	2	3	4	6	7
2"	3	4	5	7	8
2-1/2"	4	5	6	7	8
3"	5	6	7	8	9
3-1/2"			8	9	10
4"			8	9	10
5"			11	12	13
6"			12	13	14
8"			14	15	16
10"			16	17	18
12"			18	19	20

INSULATION THICKNESS

PART #	SHIELD SIZE	SHIELD I.D. SIZE (A)	MAX O.D. OF INSULATION SIZE (B)	SIZE (D)	THICKNESS (T)	LBS./100pcs
W560200	0	1-7/8"	1.9"	12"	18 ga.	45
W560201	1	2-3/8"	2.4"	12"	18 ga.	66
W560202	2	2-7/8"	2.9"	12"	18 ga.	78
W560203	3	3-1/2"	3.5"	12"	18 ga.	98
W560204	4	4"	4.0"	12"	18 ga.	109
W560205	5	4-1/2"	4.5"	12"	18 ga.	122
W560206	6	5"	5.0"	12"	18 ga.	145
W560207	7	5-1/2"	5.6"	12"	18 ga.	155
W560208	8	6-5/8"	6.7"	12"	16 ga.	172
W560209	9	7-5/8"	7.7"	12"	16 ga.	188
W560210	10	8-5/8"	8.7"	12"	16 ga.	210
W560211	11	7-5/8"	7.7"	18"	16 ga.	221
W560212	12	8-5/8"	8.7"	18"	16 ga.	232
W560213	13	9-5/8"	9.7"	18"	16 ga.	247
W560214	14	10-3/4"	10.8"	18"	16 ga.	288
W560215	15	11-3/4"	11.8"	24"	14 ga.	305
W560216	16	12-3/4"	12.8"	24"	14 ga.	320
W560217	17	14"	14.0"	24"	14 ga.	390
W560218	18	15"	15.0"	24"	14 ga.	410
W560219	19	16"	16.0"	24"	14 ga.	450
W560220	20	17"	17.0"	24"	14 ga.	505

PROJECT INFORMATION	APPROVAL STAMP
Project:	Notes:
Address:	
Contractor:	
Engineer:	
Date:	
Approved <input type="checkbox"/> Approved as Noted <input type="checkbox"/> Not Approved <input type="checkbox"/>	