

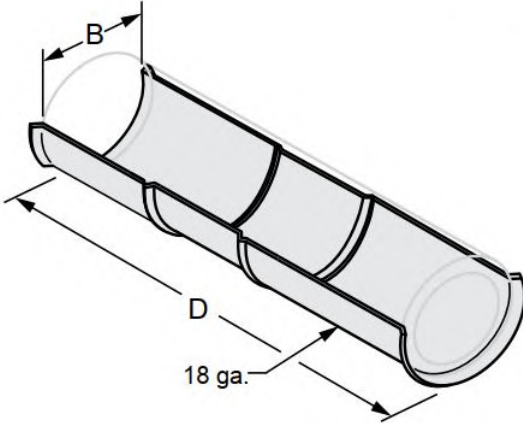


G-STRUT 4100 13th Street SW, Canton OH 44710

Phone: 866.997.8788 – Fax: 330.477.0626

www.gregorystrut.com

SELF CENTERING INSULATION SHIELD – SERIES W561



Material: Low Carbon Steel.

Finish: Pre-Galvanized

Ordering: Specify inside shield diameter and series #.

Function: Design to provide maximum protection to the insulation. The centering ribs are spaced to center the hanger on the shield, providing equal load distribution. The shield is furnished with flared ends to prevent it from cutting into the insulation.

Available In: 304 and 316 Stainless Steel.

Note: All shields furnished with flared ends.

PART #	INSIDE DIAMETER OF SHIELD (B)	SHIELD LENGTH (D)	HANGER SIZE	RIB SPACING	LBS./ INCH
W561223	2-3/8"	8"	2"	1-1/4"	.35
W561225	2-5/8"	8"	2-1/2"	1-1/4"	.37
W561227	2-7/8"	8"	2-1/2"	1-1/4"	.42
W561234	3-1/2"	8"	3"	1-1/4"	.56
W561240	4"	8"	3-1/2"	1-1/4"	.63
W561244	4-1/2"	8"	4"	1-1/4"	.72
W561250	5"	8"	5"	1-1/4"	.82
W561255	5-5/8"	8"	5"	1-1/4"	.92
W561260	6"	8"	6"	2"	.98
W561265	6-5/8"	8"	6"	2"	1.08
W561275	7-5/8"	12"	8"	2"	2.16
W561285	8-5/8"	12"	8"	2"	2.43

PART #	INSIDE DIAMETER OF SHIELD (B)	SHIELD LENGTH (D)	HANGER SIZE	RIB SPACING	LBS./ INCH
W561295	9-5/8"	12"	10"	2"	2.73
W5612106	10-3/4"	12"	10"	2"	3.06
W5612116	11-3/4"	12"	12"	2-1/4"	3.34
W5612126	12-3/4"	12"	12"	2-1/4"	3.60
W5612140	14"	12"	14"	2-1/4"	3.96
W5612150	15"	12"	16"	2-3/4"	4.23
W5612160	16"	12"	16"	2-3/4"	2.35
W5612140	17"	12"	18"	2-3/4"	2.80
W5612180	18"	12"	18"	2-3/4"	5.08
W5612190	19"	12"	20"	3-1/4"	5.36
W5612200	20"	12"	20"	3-1/4"	5.56
W5612210	21"	12"	24"	3-1/4"	5.90

Above insulation shield are electro-galvanized. To order other finishes, change the 5th character in the Part # as seen below:

STAINLESS STEEL (304) = 8

STAINLESS STEEL (316) = 0

Example: **W561,2⁸23** = STAINLESS STEEL (304)

PROJECT INFORMATION	APPROVAL STAMP
Project:	Notes:
Address:	
Contractor:	
Engineer:	
Date:	
Approved <input type="checkbox"/> Approved as Noted <input type="checkbox"/> Not Approved <input type="checkbox"/>	