

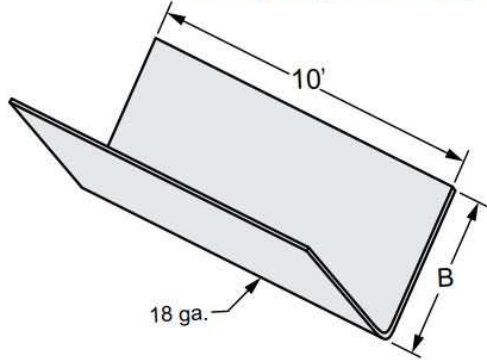


G-STRUT 4100 13<sup>th</sup> Street SW, Canton OH 44710

Phone: 866.997.8788 – Fax: 330.477.0626

[www.gregorystrut.com](http://www.gregorystrut.com)

**PLASTIC PIPE SUPPORT TROUGH – SERIES W562**



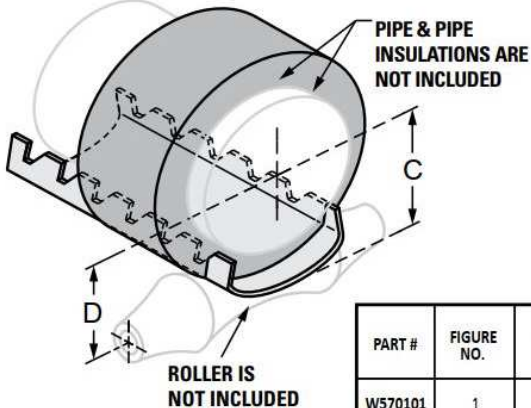
**Material:** Low Carbon Steel.  
**Finish:** Electro-Galvanized.  
**Ordering:** Specify trough size; pipe size and series #.  
**Function:** Designed for use with Series W413 as a support for plastic or other flexible pipe systems. Hangers should be placed as close to the trough joints as possible.

**Available In:** 304 & 316 Stainless Steel.

All support troughs are Electro-Galvanized. To order other finishes, change the 5th character in the Part # as seen below:  
 STAINLESS STEEL (304) = 8  
 STAINLESS STEEL (316) = 0  
 Example: **W562, 2' 14** = STAINLESS STEEL (304)  
**8**

PART #	SIZE (B)	PIPE SIZE	MAXIMUM RECOMMENDED LOAD(lbs.)	LBS./PER PCS
W562214	1-1/2"	1/2" - 2"	150	5.4
W562230	3"	2-1/2 - 4"	150	10.8

**PIPE COVERING PROTECTION SADDLE – SERIES W570**



**Size Range:** 3/4" through 24" pipe sizes.  
**Material:** Carbon Steel.  
**Finish:** Plain.  
**Ordering:** Specify pipe size; finish, and series #.  
**Function:** Recommended for the suspension of insulated pipe lines normally used with weldless eye nut.  
**Available In:** 304 & 316 Stainless Steel

All protection saddles are plain steel. To order other finishes, change the 5th character in the Part # as seen below:  
 STAINLESS STEEL (304) = 8  
 STAINLESS STEEL (316) = 0  
 Example: **W570, 4' 01** = STAINLESS STEEL (304)  
**8**

PART #	FIGURE NO.	PIPE SIZE	ACTUAL THICKNESS OF COVERING	HANGER ROLLER SIZE		CENTER LINE OF PIPE TO CENTER LINE OF SADDLE (C)	CENTER LINE OF PIPE TO CENTER LINE OF ROLLER (D)	MAXIMUM RECOMMENDED LOAD(lbs.)	LBS./100pcs
				series 630	series 610				
W570101	1	3/4	7/8	2	2-1/2	1-9/16	1-15/16	1200	93
W570102	2	3/4	1-7/16	3	3-1/2	2-1/8	2-5/8	1200	174
W570103	3	3/4	2-1/16	4	5	2-3/4	3-3/8	1200	260
W570104	4	1	1-1/16	2-1/2	3	1-13/16	2-1/4	1200	93
W570105	5	1	1-9/16	3	4	2-7/16	2-15/16	1200	174
W570106	6	1	2-1/8	4	5	2-7/8	3-1/2	1200	260
W570107	7	1-1/4	7/8	2-1/2	3	1-15/16	2-1/2	1200	132

\* NOTE: PART LIST CONTINUES ON NEXT PAGE \*

PROJECT INFORMATION	APPROVAL STAMP
Project:	Notes:
Address:	
Contractor:	
Engineer:	
Date:	
Approved <input type="checkbox"/> Approved as Noted <input type="checkbox"/> Not Approved <input type="checkbox"/>	