

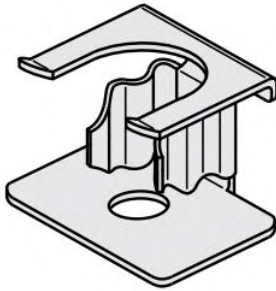


G-STRUT 4100 13th Street SW, Canton OH 44710

Phone: 866.997.8788 – Fax: 330.477.0626

www.gregorystrut.com

SURGE RESTRAINT – SERIES W580



Size Range: 3/4" through 2" pipe size IP.

Material: Spring Steel.

Finish: Powder Coating.

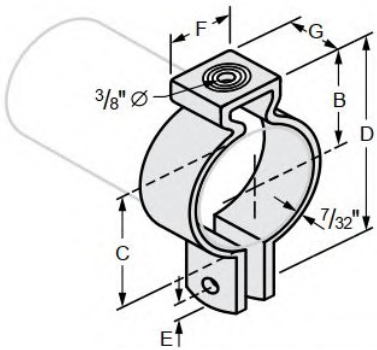
Install: Install easily before or after pipe installation and without tools. Simply clip Series W866 or W867 onto Series W305 ring hanger and run the hanger rod down to the bottom plate surface to ensure proper restraint.

Approvals: Underwriters Laboratories listed for US and Canada.

Function: Design to restrict the upward movement of activated fire sprinkler systems. Grips ring hanger, NOT THE NUT, and allows for fine tuning adjustments. Listed for use with PHD Manufacturing, Inc. Series W305 ring hangers only.

Note: For use up to 2" pipe, one size fits all.

SURGE RING HANGER – SERIES W581



Size Range: 3/4" through 2" pipe size.

Material: Carbon Steel.

Finish: Electro-Galvanized

Ordering: Specify pipe size; finish and series #.

Function: Recommended for the suspension of non-insulated stationary pipe lines.

PART #	PIPE SIZE	SIZE (B)	MIN. (C)	MAX. (C)	SIZE (D)	SIZE (E)	SIZE (F)	SIZE (G)
W581206	3/4"	7/8"	13/16"	1"	2"	1/4"	7/8"	7/8"
W581210	1"	1-1/4"	1"	1-3/8"	2-3/8"	3/8"	1"	7/8"
W581212	1-1/4"	1-3/8"	1-1/2"	1-5/8"	2-7/8"	3/8"	1"	7/8"
W581214	1-1/2"	1-5/8"	1-5/8"	2"	3-1/4"	3/8"	1-1/8"	1"
W581220	2"	1-7/8"	2-1/4"	2-1/2"	3-3/4"	3/8"	1-1/4"	1-1/4"

PROJECT INFORMATION	APPROVAL STAMP
Project:	Notes:
Address:	
Contractor:	
Engineer:	
Date:	
Approved <input type="checkbox"/> Approved as Noted <input type="checkbox"/> Not Approved <input type="checkbox"/>	