

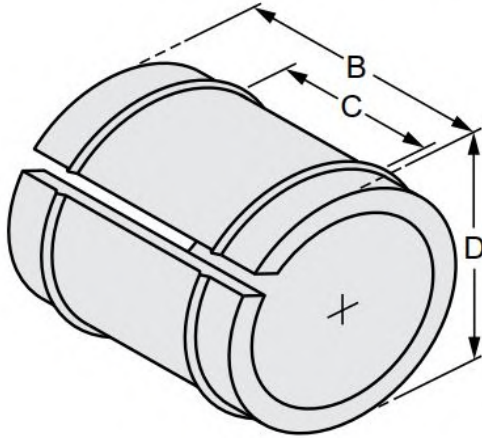


G-STRUT 4100 13<sup>th</sup> Street SW, Canton OH 44710

Phone: 866.997.8788 – Fax: 330.477.0626

[www.gregorystrut.com](http://www.gregorystrut.com)

## COPPER TUBING FELT ISOLATOR – SERIES W586



**Size Range:** 1/2" through 6" pipe size.

**Material:** Steel with Felt Lining.

**Finish:** Plain.

**Ordering:** Specify pipe size; finish and series #.

**Function:** Designed to dampen sound vibration and prevent transmission of sound to the building structure. The felt is coated with a non-conducting binder to resist effects of moisture, abrasion and temperature and is chemically treated to repel vermin.

PART #	PIPE SIZE	SIZE(B)	SIZE (C)	SIZE (D)	USE WITH HANGER SIZE	LBS./ 100pcs
W586104	1/2"	2"	1-1/4"	1-5/32"	3/4"	4.5
W586106	3/4"	2"	1-1/4"	1-5/32"	3/4"	4.5
W586110	1"	2"	1-1/4"	1-5/16"	1"	5.5
W586112	1-1/4"	2"	1-1/4"	1-21/32"	1-1/4"	7.0
W586114	1-1/2"	2"	1-1/4"	1-29/32"	1-1/2"	9.0
W586120	2"	2"	1-1/4"	2-3/8"	2"	10
W586124	2-1/2"	2"	1-1/4"	2-7/8"	2-1/2"	12
W586130	3"	2-1/2"	1-1/4"	3-1/2"	3"	25.5
W586134	3-1/2"	2-1/2"	1-1/4"	4"	3-1/2"	30
W586140	4"	3-1/4"	1-1/4"	4-1/2"	4"	46
W586150	5"	3-5/8"	1-3/8"	5-9/16"	5"	58
W586160	6"	4"	2"	6-5/8"	6"	95

PROJECT INFORMATION	APPROVAL STAMP
Project:	Notes:
Address:	
Contractor:	
Engineer:	
Date:	
Approved <input type="checkbox"/> Approved as Noted <input type="checkbox"/> Not Approved <input type="checkbox"/>	