

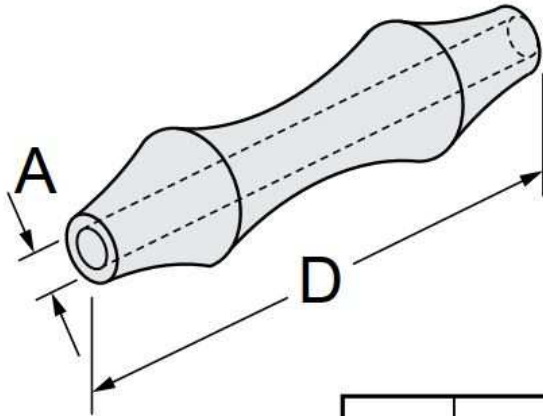


G-STRUT 4100 13<sup>th</sup> Street SW, Canton OH 44710

Phone: 866.997.8788 – Fax: 330.477.0626

[www.gregorystrut.com](http://www.gregorystrut.com)

## CAST IRON PIPE ROLLER – SERIES W600



**Size Range:** 2" through 20" pipe size.

**Material:** Carbon Steel.

**Finish:** Plain.

**Ordering:** Specify pipe size; finish and series #.

**Function:** Recommended Designed for the pipe lines where horizontal movement may take place due to expansion and contraction.

PART #	PIPE SIZE	SIZE (A)	SIZE (D)	LBS./ 100pcs
W600120	2"	3/8"	2-5/8"	40
W600124	2-1/2"	1/2"	3-1/8"	70
W600130	3"	1/2"	3-3/4"	77
W600134	3-1/2"	1/2"	4-1/4"	95
W600140	4"	1/2"	4-3/4"	116
W600150	5"	5/8"	5-3/4"	179
W600160	6"	3/4"	6-7/8"	312
W600180	8"	7/8"	8-7/8"	500
W6001100	10"	7/8"	11"	665
W6001120	12"	7/8"	13"	779
W6001140	14"	1-1/8"	14-1/4"	1698
W6001160	16"	1-1/4"	16-1/4"	2230
W6001180	18"	1-1/4"	18-1/4"	2485
W6001200	20"	1-1/4"	20-1/4"	3290

PROJECT INFORMATION	APPROVAL STAMP
Project:	Notes:
Address:	
Contractor:	
Engineer:	
Date:	
Approved <input type="checkbox"/> Approved as Noted <input type="checkbox"/> Not Approved <input type="checkbox"/>	