

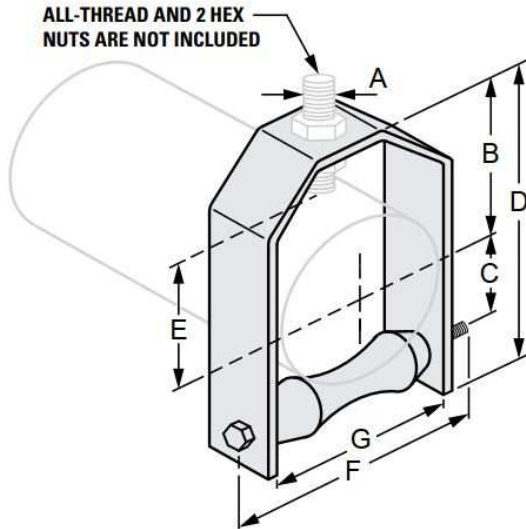


G-STRUT 4100 13th Street SW, Canton OH 44710

Phone: 866.997.8788 – Fax: 330.477.0626

www.gregorystrut.com

ADJUSTABLE ROLLER HANGER – SERIES W610



- Size Range:** 2" through 20" pipe size.
- Material:** Carbon Steel Yoke and Cast Iron Roller.
- Finish:** Plain.
- Ordering:** Specify rod size; pipe size; finish and series #.
- Approvals:** Complies with MSS SP-69 (Type 43).
- Function:** For the suspension of pipe lines where horizontal movement may occur due to expansion & contraction.
- Available In:** Electro-Galvanized, 304 and 316 Stainless Steel.

All above roller hangers are plain steel. To order other finishes, change the 5th character in the Part # as seen below:

STAINLESS STEEL (304) = 8
 STAINLESS STEEL (316) = 0
 ELECTRO-GALVANIZED = 2

Example: **W610, 2, 20** = ELECTRO-GALV 2

PART #	PIPE SIZE	SIZE (A)	SIZE (B)	SIZE (C)	SIZE (D)	SIZE (E)	SIZE (F)	SIZE (G)	MAXIMUM RECOMMENDED LOAD(lbs.)	LBS./100pcs
W610120	2"	1/2"	4"	1-5/8"	6-1/2"	3"	4-1/4"	2-5/8"	280	135
W610124	2-1/2"	1/2"	3-7/8"	2"	6-5/8"	2-3/4"	4-3/4"	3-3/8"	280	175
W610130	3"	1/2"	4-3/8"	2-1/4"	7-1/4"	3-3/8"	5-1/2"	3-3/4"	310	200
W610134	3-1/2"	1/2"	4-5/8"	2-1/2"	8"	3-5/8"	6"	4-1/4"	390	260
W610140	4"	5/8"	4-3/4"	2-3/4"	8-1/2"	3-3/4"	6-1/2"	4-7/8"	475	300
W610150	5"	5/8"	5-7/8"	3-3/8"	9-7/8"	4-1/4"	8"	5-7/8"	685	512
W610160	6"	3/4"	5-7/8"	4"	11-3/8"	4-1/4"	9"	7"	780	650
W610180	8"	7/8"	7-1/4"	5-1/8"	13-3/4"	5-1/2"	12"	9"	780	1200
W6101100	10"	7/8"	9"	6-3/8"	17"	6-7/8"	14-1/4"	11"	965	1715
W6101120	12"	7/8"	9-5/8"	7-3/8"	18-7/8"	7-7/8"	17"	13"	965	2750
W6101140	14"	1"	11-1/4"	8-3/8"	21-7/8"	9-1/4"	18-1/2"	14-1/4"	1200	3600
W6101160	16"	1"	12-1/4"	9-3/8"	24-1/8"	10-1/4"	20"	16-1/4"	1200	4945
W6101180	18"	1"	13-1/4"	10-1/2"	26-1/2"	11-1/4"	22"	18-1/4"	1400	5535
W6101200	20"	1"	14-1/4"	11-5/8"	28-1/8"	12-1/4"	24"	20-1/4"	1600	6335

PROJECT INFORMATION	APPROVAL STAMP
Project:	Notes:
Address:	
Contractor:	
Engineer:	
Date:	
Approved <input type="checkbox"/> Approved as Noted <input type="checkbox"/> Not Approved <input type="checkbox"/>	