

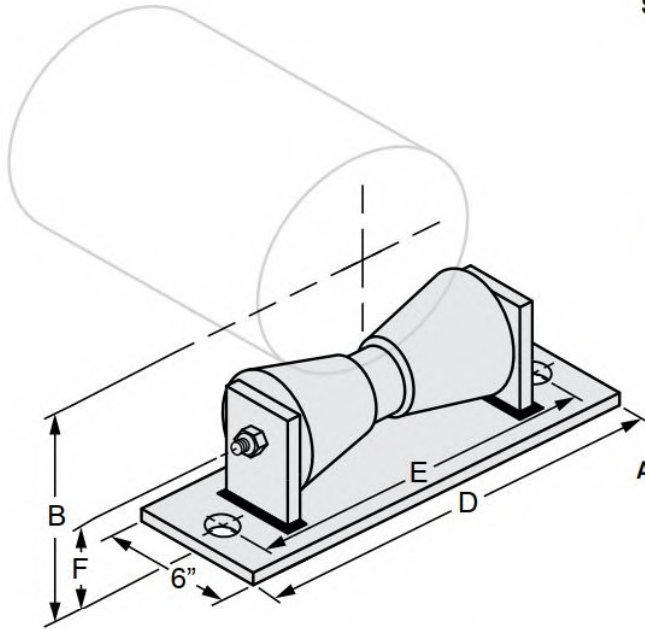


G-STRUT 4100 13th Street SW, Canton OH 44710

Phone: 866.997.8788 – Fax: 330.477.0626

www.gregorystrut.com

PIPE ROLLER STAND – SERIES W621



Size Range: 2" through 6" pipe size. Pipe roller sizes shown is for bare pipe.

Material: Cast iron pipe roller with low carbon steel stand and axle.

Finish: Plain.

Ordering: Specify pipe size; finish and series #.

Approvals: Complies with Federal Specifications A-A-1192A (Type 44) and Manufacturers' Standardization Society ANSI/SP-69 and SP-58 (Type 44).

Function: Designed to support pipe in applications where horizontal movement, due to expansion and contraction, will occur.

Available In: Electro-Galvanized.

PART #	PIPE SIZE	SIZE (A)	SIZE (B)	SIZE (D)	SIZE (E)	SIZE (F)	MAXIMUM RECOMMENDED LOAD(lbs.)	LBS./100pcs
W621120	2"	1"	3-1/2"	8-3/8"	6-3/8"	1-3/4"	390	448
W621124	2-1/2"	1"	3-7/8"	8-3/8"	6-3/8"	1-3/4"	390	448
W621130	3"	1"	4-1/8"	8-3/8"	6-3/8"	1-3/4"	390	448
W621134	3-1/2"	1"	4-3/8"	8-3/8"	6-3/8"	1-3/4"	390	448
W621140	4"	1"	4-13/16"	9-7/8"	7-7/8"	2-1/16"	950	685
W621150	5"	1"	5-7/16"	9-7/8"	7-7/8"	2-1/16"	950	685
W621160	6"	1"	6-1/16"	9-7/8"	7-7/8"	2-1/16"	950	685

All above roller stands are plain steel.
To order other finishes, change the 5th character in the Part # as seen below:

ELECTRO-GALVANIZED = 2

Example: W621 ~~1~~ 20 = ELECTRO-GALV
2

PROJECT INFORMATION	APPROVAL STAMP
Project:	Notes:
Address:	
Contractor:	
Engineer:	
Date:	
Approved <input type="checkbox"/> Approved as Noted <input type="checkbox"/> Not Approved <input type="checkbox"/>	