

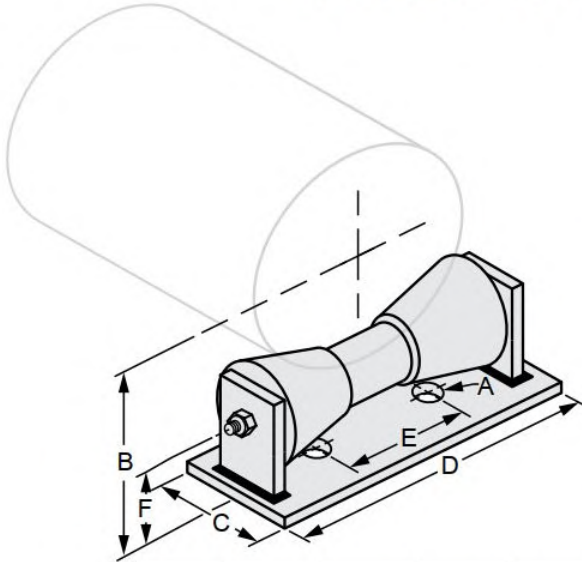


G-STRUT 4100 13<sup>th</sup> Street SW, Canton OH 44710

Phone: 866.997.8788 – Fax: 330.477.0626

[www.gregorystrut.com](http://www.gregorystrut.com)

### PIPE ROLLER STAND – SERIES W622



**Size Range:** 8" through 42" pipe size. Pipe roller size shown is for bare pipe.

**Material:** Cast iron pipe roller with low carbon steel stand and axle.

**Finish:** Plain.

**Ordering:** Specify pipe size; finish and series #.

**Approvals:** Complies with Federal Specifications A-A-1192A (Type 44) and Manufacturers' Standardization Society ANSI/SP-69 and SP-58 (Type 44).

**Function:** Designed to support pipe in applications where horizontal movement, due to expansion and contraction, will occur.

**Available In:** Electro-Galvanized, 304 & 316 Stainless Steel.

PART #	PIPE SIZE	SIZE (A)	SIZE (B)	SIZE (C)	SIZE (D)	SIZE (E)	SIZE (F)	MAXIMUM RECOMMENDED LOAD(lbs.)	LBS./100pcs
W622180	8"	1"	8 11/16"	7"	8 5/8"	4 1/8"	3 7/16"	2100	1409
W6221100	10"	1"	9-13/16"	7"	8-5/8"	4-1/8"	3-7/16"	2100	1409
W6221120	12"	1"	11-3/8"	8"	10-7/8"	5-13/16"	3-7/8"	3075	2209
W6221140	14"	1"	12"	8"	10-7/8"	5-13/16"	3-7/8"	3075	2209
W6221160	16"	1"	13-5/8"	9"	12-1/2"	6-7/8"	4-1/4"	4980	3200
W6221180	18"	1"	14-5/8"	9"	12-1/2"	6-7/8"	4-1/4"	4980	3200
W6221200	20"	1"	15-5/8"	9"	12-1/2"	6-7/8"	4-1/4"	4980	3200
W6221240	24"	1"	17-3/4"	9"	13-1/2"	7-5/8"	4-3/8"	6100	4143
W6221300	30"	1"	21-7/8"	12"	17"	10"	5-1/8"	7500	8000
W6221360	36"	1"	25-3/4"	12"	20"	12"	5-3/4"	12000	12500
W6221420	42"	1"	28-7/8"	12"	20"	12"	5-3/4"	12000	12500

All above roller stands are plain steel.  
 To order other finishes, change the 5th character in the Part # as seen below:  
 STAINLESS STEEL (304) = 8  
 STAINLESS STEEL (316) = 0  
 ELECTRO-GALVANIZED = 2  
 Example: **W622 2 80** = ELECTRO-GALV  
**2**

PROJECT INFORMATION	APPROVAL STAMP
Project:	Notes:
Address:	
Contractor:	
Engineer:	
Date:	
Approved <input type="checkbox"/> Approved as Noted <input type="checkbox"/> Not Approved <input type="checkbox"/>	