

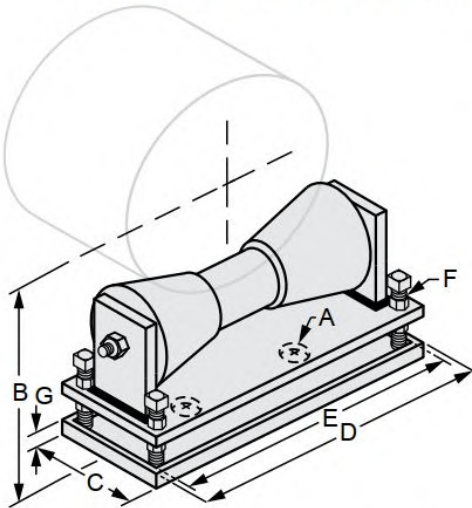


G-STRUT 4100 13<sup>th</sup> Street SW, Canton OH 44710

Phone: 866.997.8788 – Fax: 330.477.0626

[www.gregorystrut.com](http://www.gregorystrut.com)

## ADJUSTABLE PIPE ROLLER STAND w/ BASE – SERIES W623



**Size Range:** 2" through 42" pipe size. Pipe roller size shown is for bare pipe.

**Material:** Cast iron pipe roller with low carbon steel stand, axle and adjusting screws with locknuts.

**Finish:** Plain.

**Ordering:** Specify pipe size; finish and series #.

**Approvals:** Complies with Federal Specifications A-A-1192A (Type 46) and Manufacturers' Standardization Society ANSI/SP-69 and SP-58 (Type 46).

**Function:** Designed to support pipe in applications where horizontal movement, due to expansion and contraction, will occur and vertical adjustment is required.

**Available In:** Electro-Galvanized, 304 & 316 Stainless Steel.

All above roller stands are plain steel. To order other finishes, change the 5th character in the Part # as seen below:

STAINLESS STEEL (304) = 8

STAINLESS STEEL (316) = 0

ELECTRO-GALVANIZED = 2

Example: W623, ~~2~~20 = ELECTRO-GALV  
2

PART #	PIPE SIZE	SIZE (A)	SIZE (B)		SIZE (C)	SIZE (D)	SIZE (E)	BOLT SIZE (F)	SIZE (G)	MAXIMUM RECOMMENDED LOAD(lbs.)	LBS./100pcs
			MIN.	MAX.							
W623120	2"	1"	5-1/8"	5-3/8"	5-1/2"	7"	3-7/8"	5/8"	1"	390	1203
W623124	2-1/2"	1"	5-3/8"	5-5/8"	5-1/2"	7"	3-7/8"	5/8"	1"	390	1203
W623130	3"	1"	5-3/4"	6"	5-1/2"	7"	3-7/8"	5/8"	1"	390	1203
W623134	3-1/2"	1"	6"	6-1/4"	5-1/2"	7"	3-7/8"	5/8"	1"	390	1203
W623140	4"	1"	6-1/2"	7"	5-3/4"	8-3/8"	5-1/8"	5/8"	1"	950	1524
W623150	5"	1"	7"	7-1/2"	5-3/4"	8-3/8"	5-1/8"	5/8"	1"	950	1524
W623160	6"	1"	7-5/8"	8-1/8"	5-3/4"	8-3/8"	5-1/8"	5/8"	1"	950	1524
W623180	8"	1"	10-3/8"	11-5/8"	6-3/4"	10-3/4"	7-3/8"	3/4"	1-1/8"	2100	3059
W6231110	10"	1"	11-1/2"	12-3/4"	6-3/4"	10-3/4"	7-3/8"	3/4"	1-1/8"	2100	3059
W6231120	12"	1"	13"	14-1/4"	8"	13-1/8"	9-1/2"	7/8"	1-3/8"	3075	4496
W6231140	14"	1"	13-5/8"	14-7/8"	8"	13-1/8"	9-1/2"	7/8"	1-3/8"	3075	4496
W6231160	16"	1"	15-1/4"	16-5/8"	8-5/8"	14-1/2"	11-1/8"	1"	1-3/8"	4980	6410
W6231180	18"	1"	16-3/8"	17-3/4"	8-5/8"	14-1/2"	11-1/8"	1"	1-3/8"	4980	6410
W6231200	20"	1"	17-3/8"	18-3/4"	8-5/8"	14-1/2"	11-1/8"	1"	1-3/8"	4980	6410
W6231240	24"	1"	19-5/8"	21"	8-5/8"	16"	12-1/4"	1"	1-3/8"	6100	7668
W6231300	30"	1"	24"	26-3/4"	10-1/2"	19-5/8"	15-3/4"	1-1/4"	1-5/8"	7500	14225
W6231360	36"	1"	13-3/16"	29-3/16"	11-1/2"	22"	16"	1-1/2"	1-5/8"	12000	15623
W6231420	42"	1"	29-1/4"	32-1/4"	11-1/2"	22"	16"	1-1/2"	1-5/8"	12000	15623

PROJECT INFORMATION	APPROVAL STAMP
Project:	Notes:
Address:	
Contractor:	
Engineer:	
Date:	
Approved <input type="checkbox"/> Approved as Noted <input type="checkbox"/> Not Approved <input type="checkbox"/>	