

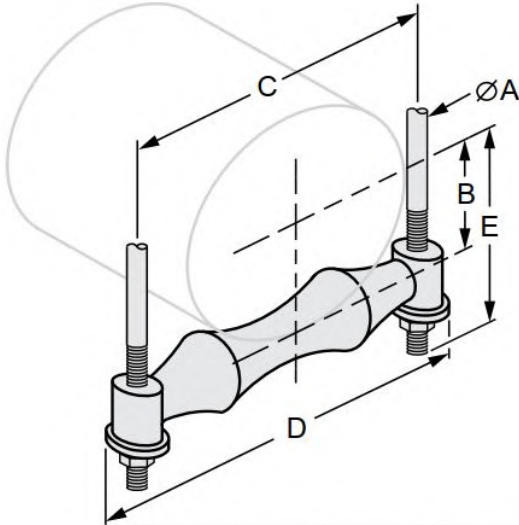


G-STRUT 4100 13th Street SW, Canton OH 44710

Phone: 866.997.8788 – Fax: 330.477.0626

www.gregorystrut.com

TWO ROD TYPE ROLLER HANGER – SERIES W630



- Size Range:** 2" through 30" pipe size.
- Material:** Cast Iron Roller and sockets, Carbon Steel Hardware.
- Finish:** Plain.
- Ordering:** Specify rod size; pipe size; finish and series #.
- Function:** Pipe support designed for the pipe lines where horizontal movement may take place due to expansion and contraction.

PART #	PIPE SIZE	SIZE (A)	SIZE (B)	SIZE (C)	SIZE (D)	SIZE (E)	MAXIMUM RECOMMENDED LOAD(lbs.)	LBS./100pcs
W630120	2"	3/8"	1-5/8"	4-1/8"	5-1/4"	3-1/8"	600	57
W630124	2-1/2"	1/2"	2"	4-7/8"	6-1/4"	3-5/8"	660	100
W630130	3"	1/2"	2-1/4"	5-1/2"	6-7/8"	4"	700	110
W630134	3-1/2"	1/2"	2-1/2"	6-1/8"	7-1/2"	4-1/8"	750	135
W630140	4"	1/2"	2-3/4"	6-3/4"	8-1/4"	4-3/4"	750	165
W630150	5"	5/8"	3-1/2"	8"	9-5/8"	5-1/2"	750	257
W630160	6"	3/4"	4"	9-1/2"	11-1/2"	6-1/2"	1070	445
W630180	8"	7/8"	5-1/8"	12"	14"	8"	1350	715
W6301100	10"	7/8"	6-3/8"	14"	16-1/8"	9-1/4"	1730	950
W6301120	12"	7/8"	7-1/2"	16-1/4"	18"	10-1/2"	2400	1590
W6301140	14"	1"	8-3/8"	17-3/4"	20-1/8"	12-1/8"	3130	2425
W6301160	16"	1"	9-1/2"	19-3/4"	22-1/8"	13"	3970	3185
W6301180	18"	1"	10-1/2"	21-7/8"	24-1/2"	14-1/4"	4200	3550
W6301200	20"	1-1/4"	11-5/8"	24-1/4"	27-1/2"	15-3/4"	4500	4700
W6301240	24"	1-1/2"	14"	28-5/8"	32-1/8"	18-3/4"	6160	7630
W6301300	30"	1-1/2"	17-1/2"	35-1/2"	39"	22-7/8"	7290	12990

PROJECT INFORMATION	APPROVAL STAMP
Project:	Notes:
Address:	
Contractor:	
Engineer:	
Date:	
Approved <input type="checkbox"/> Approved as Noted <input type="checkbox"/> Not Approved <input type="checkbox"/>	