

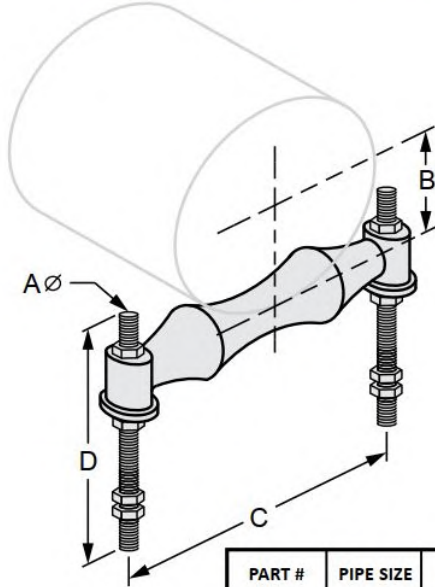


G-STRUT 4100 13th Street SW, Canton OH 44710

Phone: 866.997.8788 – Fax: 330.477.0626

www.gregorystrut.com

ADJUSTABLE TYPE ROLLER SUPPORT – SERIES W640



Size Range: 2" through 30" pipe size.

Material: Cast Iron Roller and sockets, Carbon Steel Hardware.

Finish: Plain.

Ordering: Specify rod size; pipe size; finish and series #.

Function: Used to support piping subject to horizontal movement and where vertical adjustment up to 6" may be necessary.

PART #	PIPE SIZE	SIZE (A)	SIZE (B)	SIZE (C)	SIZE (D)	LBS./100pcs
W640120	2"	3/8"	1-1/2"	4-1/8"	12"	132
W640124	2-1/2"	1/2"	1-7/8"	4-7/8"	12"	230
W640130	3"	1/2"	2-1/4"	5-1/2"	12"	252
W640134	3-1/2"	1/2"	2-1/2"	6-1/8"	12"	261
W640140	4"	1/2"	2-3/4"	6-3/4"	12"	388
W640150	5"	5/8"	3-1/2"	8"	12"	475
W640160	6"	3/4"	4"	9-1/2"	12"	765
W640180	8"	7/8"	5-1/8"	12"	12"	1293
W6401100	10"	7/8"	6-3/8"	14"	12"	1384
W6401120	12"	7/8"	7-1/4"	16-1/4"	12"	2056
W6401140	14"	1"	8-1/2"	17-3/4"	12"	2785
W6401160	16"	1"	9-1/2"	19-3/4"	18"	4305
W6401180	18"	1"	10-1/2"	21-7/8"	18"	4970
W6401200	20"	1-1/4"	11-5/8"	24-1/4"	18"	6540
W6401240	24"	1-1/2"	14"	28-5/8"	24"	11150
W6401300	30"	1-1/2"	17-1/2"	35-1/2"	24"	20880

PROJECT INFORMATION	APPROVAL STAMP
Project:	Notes:
Address:	
Contractor:	
Engineer:	
Date:	
Approved <input type="checkbox"/> Approved as Noted <input type="checkbox"/> Not Approved <input type="checkbox"/>	