

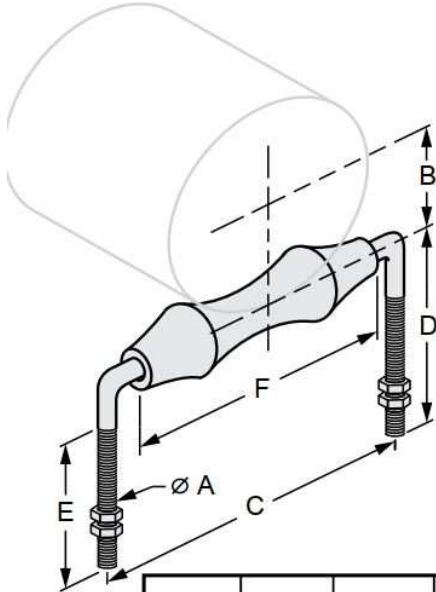


G-STRUT 4100 13<sup>th</sup> Street SW, Canton OH 44710

Phone: 866.997.8788 – Fax: 330.477.0626

[www.gregorystrut.com](http://www.gregorystrut.com)

## ADJUSTABLE PIPE ROLLER SUPPORT – SERIES W641



**Size Range:** 2" through 16" pipe size. Pipe roller size shown is for bare pipe. For proper sizing with insulation, consult the factory.

**Material:** Cast iron pipe roller with low carbon steel rod with four hex nuts.

**Finish:** Plain.

**Ordering:** Specify rod size; pipe size; finish and series #.

**Function:** Designed to support piping in applications where horizontal movement, due to expansion and contraction, will occur and a vertical adjustment is required. The roller assembly is attached by means of the threaded support rods and locked in place after correct alignment with the hex nuts provided.

**Available In:** Pre-Galvanized.

PART #	PIPE SIZE	SIZE (A)	SIZE (B)	SIZE (C)	SIZE (D)	SIZE (E)	SIZE (F)	MAXIMUM RECOMMENDED LOAD(lbs.)	LBS./100pcs
W641120	2"	3/8"	1-5/8"	4-1/2"	4-1/2"	2-3/4"	2-7/8"	450	.56
W641124	2-1/2"	1/2"	2"	4-3/8"	4-1/2"	3-1/2"	3-1/8"	450	.93
W641130	3"	1/2"	2-1/4"	5-1/8"	4-1/2"	3-1/2"	3-3/4"	450	1.01
W641134	3-1/2"	1/2"	2-5/8"	5-7/8"	4-1/2"	3-1/2"	4-1/4"	450	1.26
W641140	4"	1/2"	2-3/4"	6-3/4"	4-1/2"	3-1/2"	4-3/4"	560	1.32
W641150	5"	5/8"	3-1/2"	7-1/2"	4-1/2"	3-1/2"	5-3/4"	560	2.39
W641160	6"	3/4"	4"	8-1/2"	4-1/2"	3-1/2"	6-7/8"	780	3.56
W641180	8"	7/8"	5-1/8"	11"	5-1/4"	4"	8-7/8"	1800	5.88
W6411100	10"	7/8"	6-3/8"	13-1/2"	5-1/4"	4"	11"	1800	9.23
W6411120	12"	1"	7-1/2"	15-1/4"	6"	5"	13"	1800	12.97
W6411140	14"	1-1/8"	8-3/8"	17-1/2"	7"	5-1/2"	14-3/8"	3075	22.46
W6411160	16"	1-1/4"	9-1/2"	20"	8"	6"	16-3/8"	3075	28.35

All above roller support are plain steel.  
To order other finishes, change the 5th character in the Part # as seen below:  
PRE-GALVANIZED = 4  
Example: **W641**~~1~~**20** = PRE-GALV  
**4**

PROJECT INFORMATION	APPROVAL STAMP
Project:	Notes:
Address:	
Contractor:	
Engineer:	
Date:	
Approved <input type="checkbox"/> Approved as Noted <input type="checkbox"/> Not Approved <input type="checkbox"/>	