

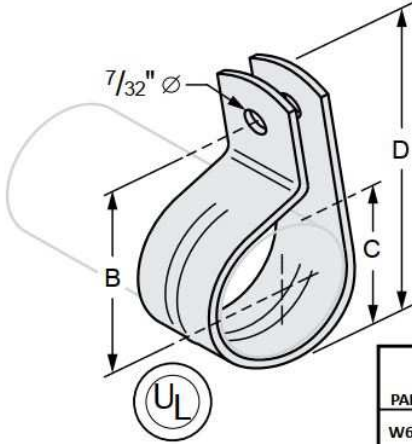


G-STRUT 4100 13th Street SW, Canton OH 44710

Phone: 866.997.8788 – Fax: 330.477.0626

www.gregorystrut.com

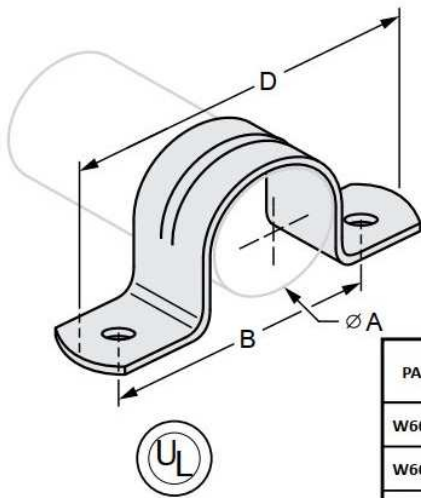
CPVC ONE-HOLE WRAP AROUND STRAP – SERIES W650



- Size Range:** 3/4" through 2" pipe size.
- Material:** Pre-Galvanized Carbon Steel G-90.
- Finish:** Pre-Galvanized
- Ordering:** Specify pipe size; finish and series #.
- Approvals:** Underwriter's Laboratories approved for the support of CPVC piping.
- Function:** Design to support or restraint when installed with the tabs in the up or down position. It may also be used on top of a beam as a guide. It is not recommended for use underneath a beam as a ceiling type hanger.

PART #	PIPE SIZE	SIZE (B)	SIZE (C)	SIZE (D)	MATERIAL	CARTON QTY.	LBS./100pcs
W650206	3/4"	1-1/2"	1.050	2-1/2"	20 ga. x 1-1/8"	100	9
W650210	1"	1-5/8"	1.313	2-7/8"	20 ga. x 1-1/8"	100	10
W650212	1-1/4"	1-3/4"	1.660	3"	20 ga. x 1-1/8"	100	12
W650214	1-1/2"	1-7/8"	1.900	3-3/8"	20 ga. x 1-1/8"	100	12
W650220	2"	2"	2.375	3-3/4"	20 ga. x 1-1/8"	100	15

TWO-HOLE CPVC STRAP – SERIES W660



- Size Range:** 3/4" through 2" pipe size.
- Material:** Pre-Galvanized Carbon Steel G-90.
- Finish:** Pre-Galvanized
- Ordering:** Specify pipe size; finish and series #.
- Approvals:** Underwriter's Laboratories approved for the support of CPVC piping.
- Function:** Design to support or restraint when installed with the tabs in the up or down position. It may also be used on top of a beam as a guide. Not recommended for use underneath a beam as a ceiling type hanger.

PART #	PIPE SIZE	SIZE (A)	SIZE (B)	SIZE (D)	MATERIAL	CARTON QTY.	LBS./100pcs
W660206	3/4"	1.050	2.400	3.310	20 ga. x 1-1/8"	100	9
W660210	1"	1.313	2.640	3.550	20 ga. x 1-1/8"	100	10
W660212	1-1/4"	1.660	3.010	3.925	20 ga. x 1-1/8"	100	12
W660214	1-1/2"	1.900	3.265	4.185	20 ga. x 1-1/8"	100	12
W660220	2"	2.375	3.665	4.575	20 ga. x 1-1/8"	100	15

PROJECT INFORMATION	APPROVAL STAMP
Project:	Notes:
Address:	
Contractor:	
Engineer:	
Date:	
Approved <input type="checkbox"/> Approved as Noted <input type="checkbox"/> Not Approved <input type="checkbox"/>	