

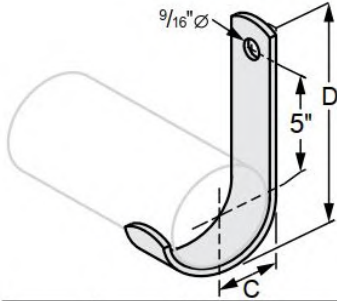


G-STRUT 4100 13<sup>th</sup> Street SW, Canton OH 44710

Phone: 866.997.8788 – Fax: 330.477.0626

[www.gregorystrut.com](http://www.gregorystrut.com)

## RETURN LINE STRAIGHT J-HOOK – SERIES W651



**Size Range:** 1/2" through 6" pipe size.

**Material:** Low Carbon Steel.

**Finish:** Plain.

**Ordering:** Specify pipe size; finish and series #.

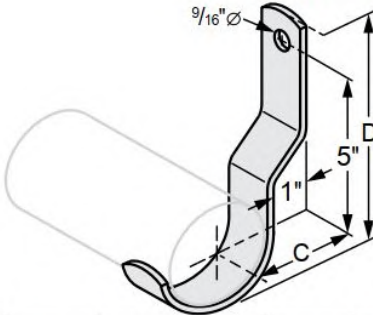
**Function:** Design to support pipe running along the wall, in applications where clearance between the wall is not desired.

**Available In:** Electro-Galvanized, 304 & 316 Stainless Steel.

PART #	PIPE SIZE	SIZE (C)	SIZE (D)	MAXIMUM RECOMMENDED LOAD(lbs.)	LBS./100pcs
W651104	1/2"	5/8"	6-9/32"	200	51
W651106	3/4"	11/16"	6-1/8"	200	53
W651110	1"	7/8"	6-9/16"	200	80
W651112	1-1/4"	1-1/16"	6-5/8"	200	83
W651114	1-1/2"	1-3/16"	6-11/16"	200	87
W651120	2"	1-5/8"	7-3/32"	200	93

PART #	PIPE SIZE	SIZE (C)	SIZE (D)	MAXIMUM RECOMMENDED LOAD(lbs.)	LBS./100pcs
W651124	2-1/2"	1-11/16"	7-15/32"	350	116
W651130	3"	2"	7-5/8"	350	127
W651134	3-1/2"	2-1/4"	8-1/32"	350	137
W651140	4"	2-5/8"	8-9/16"	450	219
W651150	5"	3-3/16"	9"	450	350
W651160	6"	3-11/16"	9-3/8"	450	415

## RETURN LINE OFFSET J-HOOK – SERIES W652



**Size Range:** 1/2" through 6" pipe size.

**Material:** Low Carbon Steel.

**Finish:** Plain.

**Ordering:** Specify pipe size; finish and series #.

**Function:** Design to support pipe running along the wall, in applications where clearance between the wall is desired.

**Available In:** Electro-Galvanized, 304 & 316 Stainless Steel.

PART #	PIPE SIZE	SIZE (C)	SIZE (D)	MAXIMUM RECOMMENDED LOAD(lbs.)	LBS./100pcs
W652104	1/2"	1-5/8"	6-9/32"	200	53
W652106	3/4"	1-11/16"	6-1/8"	200	55
W652110	1"	1-7/8"	6-9/16"	200	81
W652112	1-1/4"	2-1/16"	6-5/8"	200	84
W652114	1-1/2"	2-3/16"	6-11/16"	200	89
W652120	2"	2-5/8"	7-3/32"	200	96

PART #	PIPE SIZE	SIZE (C)	SIZE (D)	MAXIMUM RECOMMENDED LOAD(lbs.)	LBS./100pcs
W652124	2-1/2"	2-11/16"	7-15/32"	350	126
W652130	3"	3"	7-5/8"	350	138
W652134	3-1/2"	3-1/4"	8-1/32"	350	147
W652140	4"	3-5/8"	8-9/16"	450	239
W652150	5"	4-3/16"	9"	450	390
W652160	6"	4-11/16"	9-3/8"	450	425

PROJECT INFORMATION	APPROVAL STAMP
Project:	Notes:
Address:	
Contractor:	
Engineer:	
Date:	
Approved <input type="checkbox"/> Approved as Noted <input type="checkbox"/> Not Approved <input type="checkbox"/>	