

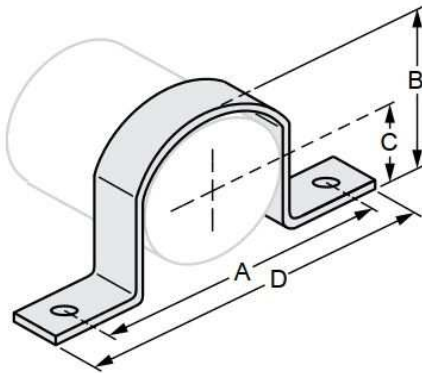


G-STRUT 4100 13<sup>th</sup> Street SW, Canton OH 44710

Phone: 866.997.8788 – Fax: 330.477.0626

[www.gregorystrut.com](http://www.gregorystrut.com)

## SHORT PIPE STRAP – SERIES W670

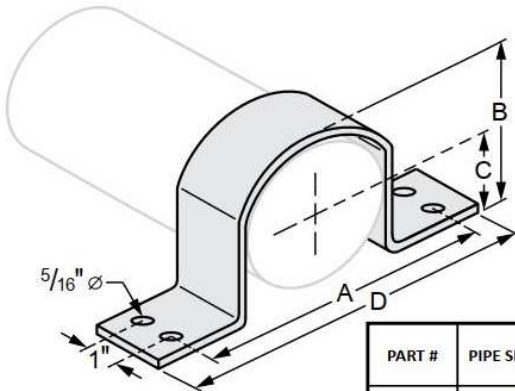


- Size Range:** 1/2" through 2" pipe size.  
**Material:** Low Carbon Steel.  
**Finish:** Plain.  
**Ordering:** Specify rod size; pipe size; finish and series #.  
**Approvals:** Complies with Federal Specifications A-A-1192A (Type 26) and Manufacturers' Standardization Society SP-69 (Type 26).  
**Function:** Designed for holding piping flush with the adjacent surface. Sizes 1/2" to 2" are furnished with two screw holes, use W670 Series. Sizes 2-1/2" to 4" are furnished with four screw holes, use W671 Series.  
**Available In:** 304 & 316 Stainless Steel.

All beam clamps are plain steel.  
 To order other finishes, change the 5th character in the Part # as seen below:  
 STAINLESS STEEL (304) = 8  
 STAINLESS STEEL (316) = 0  
 Example: W670,204 = STAINLESS STEEL 8

PART #	PIPE SIZE	SIZE (A)	SIZE (B)	SIZE (C)	SIZE (D)	MATERIAL	CARTON QTY.	LBS./100pcs
W670104	1/2"	2-7/8"	15/16"	15/16"	3-7/8"	11 ga. x 1-1/4"	50	25
W670106	3/4"	3"	1-1/8"	7/16"	4"	11 ga. x 1-1/4"	50	27
W670110	1"	3-1/4"	1-3/8"	9/16"	4-1/4"	11 ga. x 1-1/4"	50	29
W670112	1-1/4"	3-5/8"	1-5/8"	11/16"	4-5/8"	11 ga. x 1-1/4"	25	33
W670114	1-1/2"	4"	2"	13/16"	5"	11 ga. x 1-1/4"	25	35
W670120	2"	4-1/2"	2-1/4"	15/16"	5-1/2"	11 ga. x 1-1/4"	25	41

## SHORT PIPE STRAP – SERIES W671



- Size Range:** 2-1/2" through 4" pipe size.  
**Material:** Low Carbon Steel.  
**Finish:** Plain.  
**Ordering:** Specify rod size; pipe size; finish and series #.  
**Approvals:** Complies with Federal Specifications A-A-1192A (Type 26) and Manufacturers' Standardization Society SP-69 (Type 26).  
**Function:** Designed for holding piping flush with the adjacent surface. Sizes 1/2" to 2" are furnished with two screw holes, use W670 Series. Sizes 2-1/2" to 4" are furnished with four screw holes, use W671 Series.

PART #	PIPE SIZE	SIZE (A)	SIZE (B)	SIZE (C)	SIZE (D)	MATERIAL	CARTON QTY.	LBS./100pcs
W671124	2-1/2"	5"	2-7/8"	1-1/8"	6"	3 ga. x 1-1/4"	25	89
W671130	3"	5-5/8"	3-1/2"	1-1/2"	6-5/8"	3 ga. x 1-1/4"	25	106
W671130	3-1/2"	6-1/8"	4"	1-3/4"	7-1/8"	3 ga. x 1-1/4"	25	123
W671140	4"	7-1/8"	4-1/2"	2"	8-3/8"	3 ga. x 1-1/2"	25	158

PROJECT INFORMATION	APPROVAL STAMP
Project:	Notes:
Address:	
Contractor:	
Engineer:	
Date:	
Approved <input type="checkbox"/> Approved as Noted <input type="checkbox"/> Not Approved <input type="checkbox"/>	