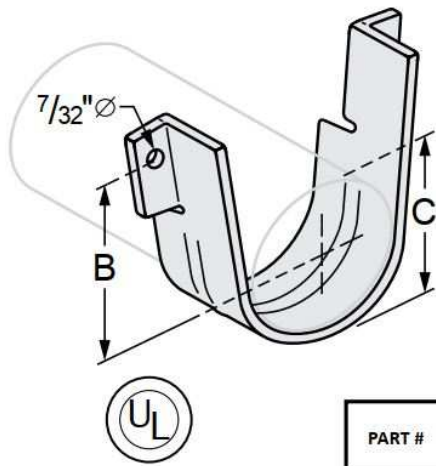




G-STRUT 4100 13<sup>th</sup> Street SW, Canton OH 44710  
 Phone: 866.997.8788 – Fax: 330.477.0626  
[www.gregorystrut.com](http://www.gregorystrut.com)

## CPVC TWO-HOLE 90 DEGREE SIDE MOUNT STRAP – SERIES W680



- Size Range:** 3/4" through 2" pipe size.
- Material:** Pre-Galvanized Carbon Steel G-90.
- Finish:** Pre-Galvanized
- Ordering:** Specify pipe size; finish and series #.
- Approvals:** Underwriter's Laboratories approved for the support of CPVC piping.
- Function:** Design to support or restraint pipe from either a top or bottom beam installation. It can also help restrain an upward movement of the sprinkler head once activated.

PART #	PIPE SIZE	SIZE (B)	SIZE (C)	SIZE (D)	MATERIAL	CARTON QTY.	LBS./ 100pcs
W680206	3/4"	1-1/2"	1.050	2-1/2"	20 ga. x 1-1/8"	100	9
W680210	1"	1-1/2"	1.313	2-7/8"	20 ga. x 1-1/8"	100	10
W680212	1-1/4"	1-3/4"	1.660	3"	20 ga. x 1-1/8"	100	11
W680214	1-1/2"	1-7/8"	1.900	3-3/8"	20 ga. x 1-1/8"	100	12
W680220	2"	2"	2.375	3-3/4"	20 ga. x 1-1/8"	100	13

PROJECT INFORMATION	APPROVAL STAMP
Project:	Notes:
Address:	
Contractor:	
Engineer:	
Date:	
Approved <input type="checkbox"/> Approved as Noted <input type="checkbox"/> Not Approved <input type="checkbox"/>	