



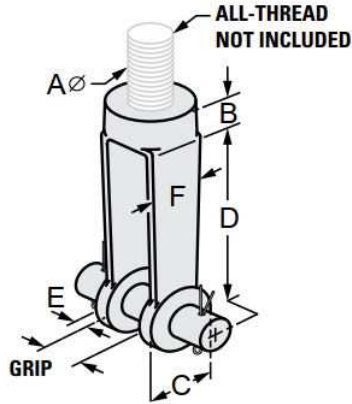
G-STRUT 4100 13<sup>th</sup> Street SW, Canton OH 44710

Phone: 866.997.8788 – Fax: 330.477.0626

[www.gregorystrut.com](http://www.gregorystrut.com)

## FORGED STEEL CLEVIS – SERIES W701

-RIGHT HAND THREADS-



**Size Range:** 3/8" through 3" rod size.

**Material:** Forged Steel.

**Finish:** Plain

**Ordering:** Specify rod size; with or without pin; finish and series #.

**Approvals:** Complies with Federal Specification A-A-1192A (Type 14) and Manufacturers Standardization Society ANSI/SP-69 and SP-58 (Type 14).

**Function:** Designed for use as a convenient method of connecting hanger rods to pipe lugs, angles, ect. As a structural attachment it is most commonly used in conjunction with Series W738 long welding lug.

**Available In:** Electro-Galvanized

PART #	ROD SIZE (A)	PIN SIZE	GRIP SIZE	SIZE (B)	SIZE (C)	SIZE (D)	SIZE (E)	SIZE (F)	MAXIMUM REC. LOAD (lbs.)		WT. PER IN. (lbs) W/O PIN	WT. PER IN. (lbs) WITH PIN
									650 F	750 F		
W701103	3/8"	1/2"	1/2"	5/8"	1-1/2"	3-5/8"	5/16"	1-1/16"	730	540	.9	1
W701104	1/2"	5/8"	1/2"	5/8"	1-1/2"	3-5/8"	5/16"	1-1/16"	1350	1010	.7	.9
W701105	5/8"	3/4"	5/8"	5/8"	1-1/2"	3-5/8"	5/16"	1-1/16"	1810	1610	.7	.9
W701106	3/4"	7/8"	3/4"	7/8"	2"	5"	3/8"	1-1/4"	2710	2420	2.5	3
W701107	7/8"	1"	7/8"	7/8"	2"	5"	3/8"	1-1/4"	3770	3360	2.5	3.4
W701110	1"	1-1/8"	1"	1-5/16"	3"	5"	1/2"	1-1/2"	4960	4420	4	5.1
W701112	1-1/4"	1-3/8"	1-1/4"	1-5/16"	3"	5"	1/2"	1-1/2"	8000	7140	3.8	5.5
W701114	1-1/2"	1-5/8"	1-1/2"	1-5/8"	3-1/2"	6"	1/2"	1-3/4"	11630	10370	6	8.5
W701116	1-3/4"	1-7/8"	1-1/2"	1-3/4"	4"	6"	1/2"	2"	15700	14000	8	12.9
W701120	2"	2-1/4"	2-1/2"	2-1/4"	5"	7"	5/8"	2-1/2"	20700	18460	16	23.3
W701122	2-1/4"	2-1/2"	2-1/2"	2-3/4"	6"	8"	3/4"	3"	27200	24260	26	35.1
W701124	2-1/2"	2-3/4"	2-1/2"	2-3/4"	6"	8"	3/4"	3"	33500	29880	25	36
W701126	2-3/4"	3"	2-1/2"	3"	7"	8"	7/8"	3-1/2"	41580	37066	36	50
W701130	3"	3-1/4"	2-1/2"	3"	7"	9"	7/8"	3-1/2"	50580	45085	35	51.5

All above steel clevis are plain steel.  
 To order other finishes, change the 5th character in the Part # as seen below:  
 ELECTRO-GALVANIZED = 2  
 Example: **W701, 2 03** = ELECTRO-GALV  
**2**

PROJECT INFORMATION	APPROVAL STAMP
Project:	Notes:
Address:	
Contractor:	
Engineer:	
Date:	
Approved <input type="checkbox"/> Approved as Noted <input type="checkbox"/> Not Approved <input type="checkbox"/>	