

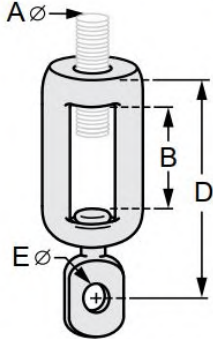


G-STRUT 4100 13th Street SW, Canton OH 44710

Phone: 866.997.8788 – Fax: 330.477.0626

www.gregorystrut.com

TURNBUCKLE ADJUSTER – SERIES W705

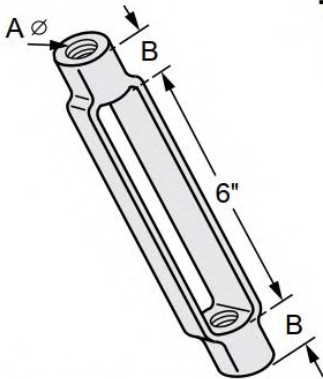


- Size Range:** 3/8" through 3/4" rod size.
- Material:** Malleable Iron.
- Finish:** Plain
- Ordering:** Specify rod size; finish and series #.
- Function:** Usually used with split pipe ring hangers, W760-Series.
- Available In:** Copper Finish (sizes 3/8" & 1/2" only).

PART #	ROD SIZE (A)	PIPE SIZE	SIZE (B)	SIZE (D)	SIZE (E)	MAXIMUM RECOMMENDED LOAD(lbs.)	LBS./100pcs
W705103	3/8"	1/2" to 2"	1-7/8"	3-13/16"	7/16"	610	28
W705104	1/2"	2-1/2" to 3-1/2"	1-13/16"	3-3/16"	7/16"	725	31
W705105	5/8"	4" to 5"	2-5/16"	4-7/8"	1/2"	710	72
W705106	3/4"	6"	2-5/16"	4-15/16"	9/16"	860	70

All above roller support are plain steel. To order other finishes, change the 5th character in the Part # as seen below:
 COPPER FINISH = 4
 Example: W705 103 = COPPER
 3

TURNBUCKLE – SERIES W710



- Size Range:** 3/8" through 2" rod size.
- Material:** C - 1035 Forged Steel.
- Finish:** Plain
- Ordering:** Specify rod size; pin size; finish and series #.
- Approvals:** Complies with Manufacturers Standardization Society SP-69 (Type 14).
- Function:** Recommended as an adjustable hanger rod connection for piping and installations.

PART #	ROD SIZE (A)	SIZE (B)	MAXIMUM RECOMMENDED LOAD(lbs.)	LBS./100pcs
W710103	3/8"	1/2"	1200	42
W710104	1/2"	3/4"	2200	65
W710105	5/8"	1"	3500	98
W710106	3/4"	1"	5200	145
W710107	7/8"	1-1/4"	7200	185

PART #	ROD SIZE (A)	SIZE (B)	MAXIMUM RECOMMENDED LOAD(lbs.)	LBS./100pcs
W710110	1"	1-1/2"	9300	260
W710111	1-1/8"	1-1/2"	11600	460
W710112	1-1/4"	1-1/2"	15200	400
W710114	1-1/2"	1-7/8"	21000	815
W710120	2"	2-3/4"	37200	1400

PROJECT INFORMATION	APPROVAL STAMP
Project:	Notes:
Address:	
Contractor:	
Engineer:	
Date:	
Approved <input type="checkbox"/> Approved as Noted <input type="checkbox"/> Not Approved <input type="checkbox"/>	