



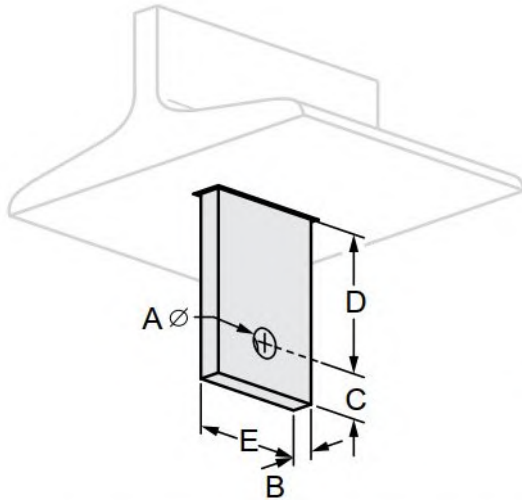
G-STRUT 4100 13th Street SW, Canton OH 44710

Phone: 866.997.8788 – Fax: 330.477.0626

www.gregorystrut.com

WELDING LUG – SERIES W738

-SHORT-



- Size Range:** 1/2" through 1-1/2" rod sizes.
Material: Low Carbon Steel.
Finish: Plain.
Ordering: Specify rod size; finish; series #.
Function: Designed to be welded to the underside of structural member to provide a means of supporting rod attachments. Used in conjunction with Series W701 forged steel clevis.
Available In: 304 and 316 Stainless Steel.

PART #	ROD SIZE	PIN OR BOLT	SIZE (A)	SIZE (B)	SIZE (C)	SIZE (D)	SIZE (E)	MAXIMUM RECOMMENDED LOAD(lbs.)	LBS./100pcs
W738104	1/2"	5/8"	11/16"	1/4"	1-1/4"	1-1/2"	2-1/2"	1130	48
W738105	5/8"	3/4"	13/16"	1/4"	1-1/4"	1-1/2"	2-1/2"	1810	41
W738106	3/4"	7/8"	15/16"	3/8"	1-1/4"	1-1/2"	2-1/2"	2710	60
W738107	7/8"	1"	1-1/8"	3/8"	1-1/4"	2"	2-1/2"	3770	71
W738110	1"	1-1/8"	1-1/4"	1/2"	1-1/2"	2"	3"	4960	120
W738112	1-1/4"	1-3/8"	1-1/2"	5/8"	2"	3"	4"	8000	303
W738114	1-1/2"	1-5/8"	1-3/4"	3/4"	2-1/2"	3"	5"	11630	482

Above welding lugs are plain steel. To order other finishes, change the 5th character in the Part # as seen below:

STAINLESS STEEL (304) = 8

STAINLESS STEEL (316) = 0

Example: **W738104** = STAINLESS STEEL (304)

8

PROJECT INFORMATION	APPROVAL STAMP
Project:	Notes:
Address:	
Contractor:	
Engineer:	
Date:	
Approved <input type="checkbox"/> Approved as Noted <input type="checkbox"/> Not Approved <input type="checkbox"/>	