



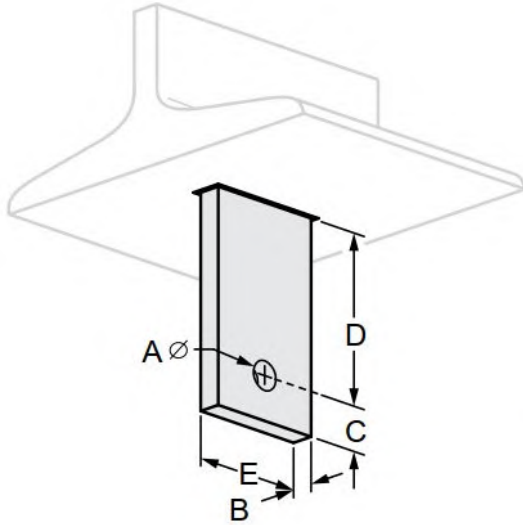
G-STRUT 4100 13th Street SW, Canton OH 44710

Phone: 866.997.8788 – Fax: 330.477.0626

www.gregorystrut.com

WELDING LUG – SERIES W739

-LONG-



- Size Range:** 1/2" through 1-1/2" rod sizes.
- Material:** Low Carbon Steel.
- Finish:** Plain.
- Ordering:** Specify rod size; finish; series #.
- Function:** Designed to be welded to the underside of structural member to provide a means of supporting rod attachments. Used in conjunction with Series W701 forged steel clevis.
- Available In:** 304 and 316 Stainless Steel.

PART #	ROD SIZE	PIN OR BOLT	SIZE (A)	SIZE (B)	SIZE (C)	SIZE (D)	SIZE (E)	MAXIMUM RECOMMENDED LOAD(lbs.)	LBS./100pcs
W739104	1/2"	5/8"	11/16"	1/4"	1-1/4"	3"	2-1/2"	1130	75
W739105	5/8"	3/4"	13/16"	1/4"	1-1/4"	3"	2-1/2"	1810	68
W739106	3/4"	7/8"	15/16"	3/8"	1-1/4"	3"	2-1/2"	2710	104
W739107	7/8"	1"	1-1/8"	3/8"	1-1/4"	3"	2-1/2"	3770	98
W739110	1"	1-1/8"	1-1/4"	1/2"	1-1/2"	3"	3"	4960	162
W739112	1-1/4"	1-3/8"	1-1/2"	5/8"	2"	4"	4"	8000	373
W739114	1-1/2"	1-5/8"	1-3/4"	3/4"	2-1/2"	4-1/2"	5"	11630	642

Above welding lugs are plain steel. To order other finishes, change the 5th character in the Part # as seen below:

STAINLESS STEEL (304) = 8
STAINLESS STEEL (316) = 0

Example: **W739104** = STAINLESS STEEL (304)
8

PROJECT INFORMATION	APPROVAL STAMP
Project:	Notes:
Address:	
Contractor:	
Engineer:	
Date:	
Approved <input type="checkbox"/> Approved as Noted <input type="checkbox"/> Not Approved <input type="checkbox"/>	