

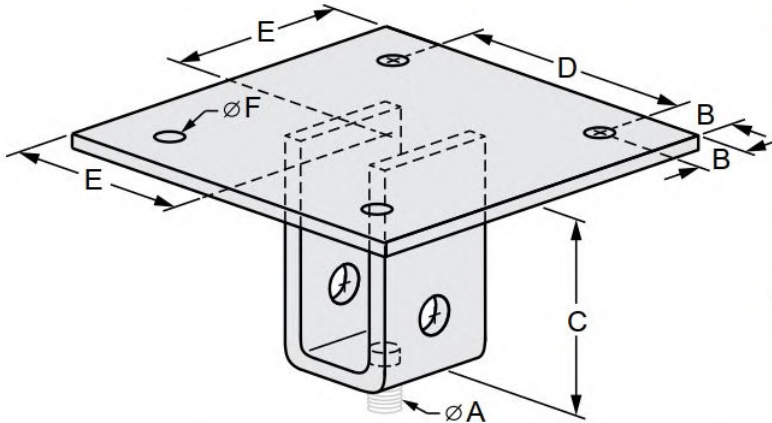


G-STRUT 4100 13th Street SW, Canton OH 44710

Phone: 866.997.8788 – Fax: 330.477.0626

www.gregorystrut.com

CONCRETE ROD ATTACHMENT PLATE – SERIES W741



- Size Range:** 3/8" through 2" rod sizes
- Material:** Low Carbon Steel.
- Finish:** Plain.
- Ordering:** Specify rod size, finish and series #.
- Function:** Designed for attaching hanger rod to a concrete ceiling.
- Available In:** Electro-Galvanized, 304 & 316 Stainless Steel.

PART #	ROD SIZE (A)	SIZE (B)	SIZE (C)	SIZE (D)	SIZE (E)	SIZE (F)	PLATE SIZE	MAXIMUM RECOMMENDED LOAD(lbs.)	LBS./100pcs
W741103	3/8"	1"	2-7/8"	8"	5"	9/16"	10" x 10" x 3/8"	730	1160
W741104	1/2"	1"	2-7/8"	8"	5"	9/16"	10" x 10" x 3/8"	1350	1160
W741105	5/8"	1"	2-7/8"	8"	5"	9/16"	10" x 10" x 3/8"	1810	1510
W741106	3/4"	1"	3-1/4"	8"	5"	11/16"	10" x 10" x 1/2"	2710	1610
W741107	7/8"	1"	4-1/4"	8"	5"	11/16"	10" x 10" x 1/2"	3770	1670
W741110	1"	2"	4-1/2"	8"	6"	13/16"	12" x 12" x 1/2"	4960	3490
W741111	1-1/8"	2"	4-3/4"	8"	6"	13/16"	12" x 12" x 1/2"	6230	3525
W741112	1-1/4"	2"	5"	8"	6"	15/16"	12" x 12" x 3/4"	8000	3870
W741114	1-1/2"	2"	6-1/2"	8"	6"	1-1/16"	12" x 12" x 1"	11630	5640
W741116	1-3/4"	2"	7-3/4"	10"	7"	1-3/8"	14" x 14" x 1-1/4"	15700	8810
W741120	2"	2"	8-1/4"	10"	7"	1-3/8"	14" x 14" x 1-1/4"	20700	9220

All above rod attachments are plain steel. To order other finishes, change the 5th character in the Part # as seen below:

STAINLESS STEEL (304) = 8
 STAINLESS STEEL (316) = 0
 ELECTRO-GALVANIZED = 2

Example: **W741 1 03** = ELECTRO-GALV
2

PROJECT INFORMATION	APPROVAL STAMP
Project:	Notes:
Address:	
Contractor:	
Engineer:	
Date:	
Approved <input type="checkbox"/> Approved as Noted <input type="checkbox"/> Not Approved <input type="checkbox"/>	