

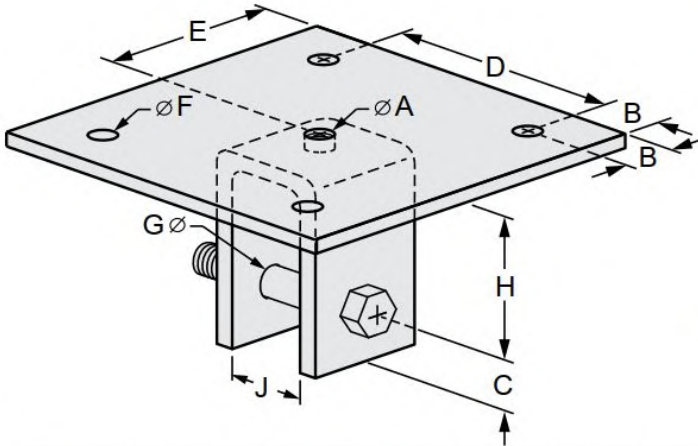


G-STRUT 4100 13<sup>th</sup> Street SW, Canton OH 44710

Phone: 866.997.8788 – Fax: 330.477.0626

[www.gregorystrut.com](http://www.gregorystrut.com)

## CONCRETE CLEVIS PLATE – SERIES W746



- Size Range:** 3/8" through 2" rod sizes  
**Material:** Low Carbon Steel.  
**Finish:** Plain.  
**Ordering:** Specify rod size, finish and series #.  
**Function:** Designed for use as a structural attachment to a concrete ceiling. Normally used in conjunction with Series W715 weldless eye nut or Series W867 welded eye rod.  
**Available In:** Electro-Galvanized, 304 & 316 Stainless Steel.

PART #	ROD SIZE (A)	BOLT SIZE (G)	SIZE (B)	SIZE (C)	SIZE (D)	SIZE (E)	SIZE (F)	SIZE (H)	SIZE (J)	PLATE SIZE	MAXIMUM RECOMMENDED LOAD(lbs.)	LBS./100pcs
W746103	3/8"	1/2"	1"	7/8"	8"	5"	9/16"	2"	1-1/4"	10" x 10" x 3/8"	730	1180
W746104	1/2"	5/8"	1"	7/8"	8"	5"	9/16"	2"	1-1/4"	10" x 10" x 3/8"	1350	1190
W746105	5/8"	3/4"	1"	7/8"	8"	5"	9/16"	2"	1-1/4"	10" x 10" x 3/8"	1810	1570
W746106	3/4"	7/8"	1"	1-1/4"	8"	5"	11/16"	2"	2-1/4"	10" x 10" x 3/8"	2710	1690
W746107	7/8"	1"	1"	1-1/4"	8"	5"	11/16"	3"	2-3/8"	10" x 10" x 3/8"	3770	1810
W746110	1"	1-1/8"	1"	1-1/2"	8"	6"	13/16"	3"	2-3/4"	12" x 12" x 1/2"	4960	3690
W746111	1-1/8"	1-1/4"	2"	1-3/4"	8"	6"	13/16"	3"	3"	12" x 12" x 1/2"	6230	3775
W746112	1-1/4"	1-3/8"	2"	2"	8"	6"	13/16"	3"	3-1/2"	12" x 12" x 3/4"	8000	4090
W746114	1-1/2"	1-5/8"	2"	2-1/2"	8"	6"	15/16"	4"	3"	12" x 12" x 1"	11630	5980
W746116	1-3/4"	1-7/8"	2"	2-3/4"	10"	7"	1-3/8"	5"	3-3/4"	14" x 14" x 1-1/4"	15700	9360
W746120	2"	2-1/4"	2"	3-1/4"	10"	7"	1-3/8"	5"	3-3/4"	14" x 14" x 1-1/4"	20700	10000

All above clevis plates are plain steel.  
 To order other finishes, change the 5th character in the Part # as seen below:

STAINLESS STEEL (304) = 8  
 STAINLESS STEEL (316) = 0  
 ELECTRO-GALVANIZED = 2

Example: **W746103** = ELECTRO-GALV  
 2

PROJECT INFORMATION	APPROVAL STAMP
Project:	Notes:
Address:	
Contractor:	
Engineer:	
Date:	
Approved <input type="checkbox"/> Approved as Noted <input type="checkbox"/> Not Approved <input type="checkbox"/>	