

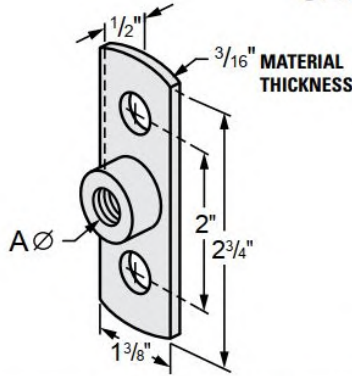


G-STRUT 4100 13th Street SW, Canton OH 44710

Phone: 866.997.8788 – Fax: 330.477.0626

www.gregorystrut.com

CEILING FLANGE – SERIES W750

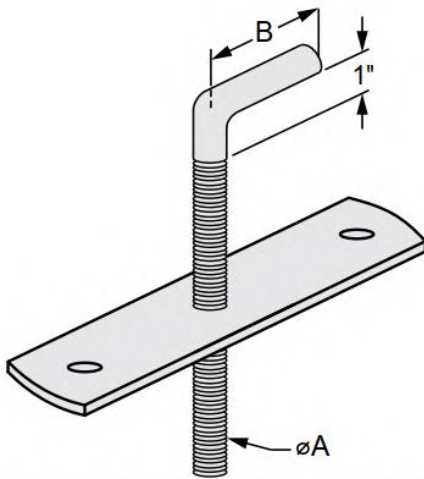


- Size Range:** 3/8" through 1/2" rod size.
- Material:** Carbon Iron.
- Finish:** Plain.
- Ordering:** Specify rod size; finish and series #.
- Function:** Design to be fastened a hanger rod to a beam or ceilings.
- Available In:** Electro-Galvanized and Copper Plated.

PART #	Ø SIZE (A)	MAXIMUM RECOMMENDED LOAD(lbs.)	CARTON QTY.	LBS./ 100pcs
W750103	3/8"	180	100	17
W750104	1/2"	180	100	18

Ceiling Flanges are plain steel.
 To order other finishes, change the 5th character in the Part # as seen below:
 ELECTRO-GALVANIZED = 2
 COPPER PLATED = 3
 Example: **W750, 1 03** = ELECTRO-GALV
2

ADJUSTABLE Q-DECK INSERT – SERIES W751



- Size Range:** 3/8" through 1" rod size
- Material:** Low Carbon Steel with Electro-Galvanized Rod.
- Finish:** Plain.
- Ordering:** Specify rod size; length; finish and series #.
- Function:** Designed for installation in metal concrete deck forms to provide a means to support piping and equipment.
- Available In:** Electro-Galvanized.

All above q-deck insert are plain steel.
 To order other finishes, change the 5th character in the Part # as seen below:
 ELECTRO-GALVANIZED = 2
 Example: **W751, 1 03** = ELECTRO-GALV
2

PART #	ROD SIZE (A)	SIZE (B)	THREAD LENGTH	MAXIMUM RECOMMENDED LOAD(lbs.)	LBS./ 100pcs
W751103	3/8"	1-11/16"	7"	730	80
W751104	1/2"	1-3/4"	7"	1350	99
W751105	5/8"	2-5/16"	7"	1810	129

PART #	ROD SIZE (A)	SIZE (B)	THREAD LENGTH	MAXIMUM RECOMMENDED LOAD(lbs.)	LBS./ 100pcs
W751106	3/4"	2-3/8"	7"	2710	238
W751107	7/8"	2-3/8"	7"	3770	284
W751110	1"	2-3/8"	7"	4960	297

PROJECT INFORMATION	APPROVAL STAMP
Project:	Notes:
Address:	
Contractor:	
Engineer:	
Date:	
Approved <input type="checkbox"/> Approved as Noted <input type="checkbox"/> Not Approved <input type="checkbox"/>	