

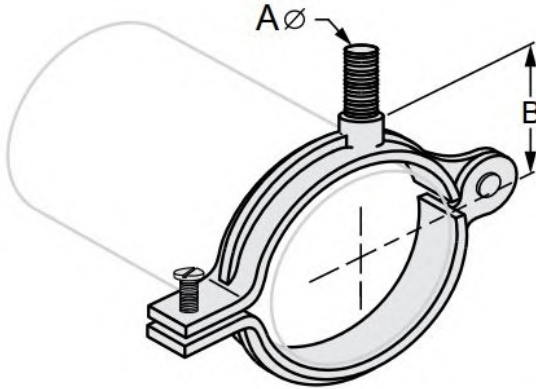


G-STRUT 4100 13th Street SW, Canton OH 44710

Phone: 866.997.8788 – Fax: 330.477.0626

www.gregorystrut.com

HINGED SPLIT RING HANGER – SERIES W760



- Size Range:** 3/8" through 4" pipe size.
- Material:** Malleable Iron.
- Finish:** Plain.
- Ordering:** Specify pipe size; finish and series #.
- Function:** Recommended for the suspension of non-insulated stationary pipe.
- Available In:** Electro-Galvanized.

PART #	PIPE SIZE	SIZE (A)	SIZE (B)	MAXIMUM RECOMMENDED LOAD(lbs.)	CARTON QTY.	LBS./100pcs
W760103	3/8"	3/8"	5/8"	180	100	10
W760104	1/2"	3/8"	3/4"	180	100	13
W760106	3/4"	3/8"	7/8"	180	100	14
W760110	1"	3/8"	1-1/8"	180	100	16
W760112	1-1/4"	3/8"	1-1/8"	180	50	22
W760114	1-1/2"	3/8"	1-3/8"	180	50	24
W760120	2"	3/8"	1-5/8"	180	50	31
W760124	2-1/2"	1/2"	1-7/8"	300	50	60
W760130	3"	1/2"	2-3/8"	300	50	74
W760140	4"	1/2"	2-3/4"	300	25	85

All above ring hangers are plain steel.
 To order other finishes, change the 5th character in the Part # as seen below:
 ELECTRO-GALVANIZED = 2
 Example: **W760203** = ELECTRO-GALV
 2

PROJECT INFORMATION	APPROVAL STAMP
Project:	Notes:
Address:	
Contractor:	
Engineer:	
Date:	
Approved <input type="checkbox"/> Approved as Noted <input type="checkbox"/> Not Approved <input type="checkbox"/>	