

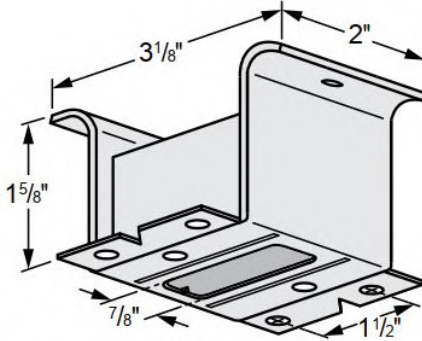


G-STRUT 4100 13<sup>th</sup> Street SW, Canton OH 44710

Phone: 866.997.8788 – Fax: 330.477.0626

[www.gregorystrut.com](http://www.gregorystrut.com)

## SPOT CONCRETE INSERT – SERIES W790



**Size Range:** 1/4" thru 7/8" pipe size.

**Material:** Low Carbon Steel.

**Finish:** Plain.

**Ordering:** Specify rod size; finish and series #. If insert nut is needed Series W791 order separately.

**Approvals:** Complies with Federal Specification A-A-1192A (Type 18) and Manufacturers Standardization Society ANSI/AP-69 & SP-58 (Type 18).

**Function:** Designed to be embedded in concrete to provide a means of suspending pipe from ceilings. The insert is held in place by nailing it to the forms, until the concrete is poured. The insert comes with a snap-out plug to keep the inner housing clean during pouring of the concrete. After the concrete has set, the plug is removed, exposing the inner housing. The rod should be tightened until it touches the top of the insert, but should not be forced further to avoid damage to the insert.

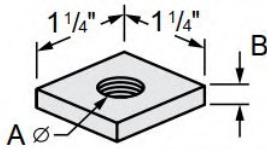
PART #	ROD SIZE	MAXIMUM RECOMMENDED LOAD(lbs.)	LBS./ 100pcs
W790102	1/4	240	44
W790103	3/8	600	44
W790104	1/2	600	44
W790105	5/8	600	44
W790106	3/4	1200	96
W790207	7/8	600	44

**Available In:** Electro-Galvanized.

**Note:** 7/8 rod size is only available in Electro-Galvanized finish.

All above concret inserts are plain steel. To order other finishes, change the 5th character in the Part # as seen below:  
 ELECTRO-GALVANIZED = 2  
 Example: **W790102** = ELECTRO-GALV  
**2**

## CONCRETE INSERT NUT – SERIES W791



**Material:** Carbon Steel, continuous thread.

**Finish:** Plain

**Ordering:** Specify rod size; length; finish and series #.

**Available In:** Electro-Galvanized

**Note:** 7/8" Diameter is only available in Electro-Galvanized finish.

PART #	SIZE (A)	SIZE (B)	LBS./ 100pcs
W791103	3/8"	1/4"	13
W791104	1/2"	1/4"	12
W791105	5/8"	1/4"	11
W791106	3/4"	1/4"	10
W791207	7/8"	5/16"	17

Concret insert nuts are plain steel. To order other finishes, change the 5th character in the Part # as seen below:  
 ELECTRO-GALVANIZED = 2  
 Example: **W791103** = ELECTRO-GALV  
**2**

PROJECT INFORMATION	APPROVAL STAMP
Project:	Notes:
Address:	
Contractor:	
Engineer:	
Date:	
Approved <input type="checkbox"/> Approved as Noted <input type="checkbox"/> Not Approved <input type="checkbox"/>	