

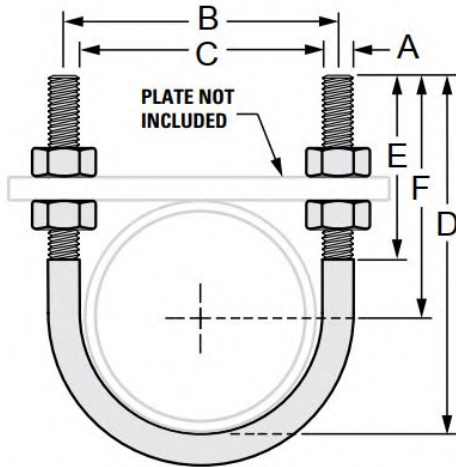


G-STRUT 4100 13th Street SW, Canton OH 44710

Phone: 866.997.8788 – Fax: 330.477.0626

www.gregorystrut.com

U-BOLT – SERIES W870



- Size Range:** 1/2" through 24" pipe sizes.
- Material:** Carbon steel.
- Finish:** Plain.
- Ordering:** Specify pipe size; finish and series #.
- Function:** Designed as a support, guide, or anchor for heavy loads.
- Available In:** Electro-Galvanized, Plain with PVC Coatings, 304 & 316 Stainless Steel.

All steel clevis' are plain steel To order other finishes, change the 5th character in the Part # as seen below:
 STAINLESS STEEL (304) = 8
 STAINLESS STEEL (316) = 0
 ELECTRO-GALVANIZED = 2
 PLAIN W/ PVC COATING = 5
 Example: **W870,404** = ELECTRO-GALV
 2

PART #	PIPE SIZE	SIZE (A)	SIZE (B)	SIZE (C)	SIZE (D)	SIZE (E)	SIZE (F)	CARTON QTY.	MAXIMUM REC. LOAD(lbs.)		LBS./100pcs
									650 F	750 F	
W870104	1/2"	1/4"	1-1/8"	1"	3-1/4"	2-3/8"	2-3/4"	100	1220	1090	23
W870106	3/4"	1/4"	1-3/8"	1-1/8"	3-1/4"	2-3/8"	2-3/4"	100	1220	1090	24
W870110	1"	1/4"	1-5/8"	1-3/8"	3-1/2"	2-3/8"	2-3/4"	100	1220	1090	26
W870112	1-1/4"	3/8"	2"	1-5/8"	3-3/4"	2-3/8"	2-7/8"	100	1220	1090	28
W870114	1-1/2"	3/8"	2-3/8"	2"	4"	2-1/2"	3"	100	1220	1090	29
W870120	2"	3/8"	2-3/4"	2-1/2"	4-1/2"	2-1/2"	3-1/4"	100	1220	1090	32
W870124	2-1/2"	1/2"	3-1/2"	3"	5-1/4"	3"	3-3/4"	50	2260	2020	68
W870130	3"	1/2"	4"	3-1/2"	5-3/4"	3"	4"	50	2260	2020	77
W870134	3-1/2"	1/2"	4-1/2"	4"	6-1/4"	3"	4-1/4"	50	2260	2020	82
W870140	4"	1/2"	5"	4-1/2"	6-3/4"	3"	4-1/2"	50	2260	2020	88
W870150	5"	1/2"	6-1/8"	5-5/8"	7-3/4"	3"	5"	50	2260	2020	93
W870160	6"	5/8"	7-3/8"	6-3/4"	9-1/2"	3-3/4"	6-1/8"	25	3620	3230	194
W870180	8"	5/8"	9-3/8"	8-3/4"	11-1/2"	3-3/4"	7-1/8"	20	3620	3230	236
W8701100	10"	3/4"	11-5/8"	10-7/8"	13-3/4"	4"	8-3/8"	10	5420	4830	489
W8701120	12"	7/8"	13-3/4"	12-7/8"	16"	4-1/4"	9-5/8"	5	7540	6730	776
W8701140	14"	7/8"	15"	14-1/8"	17-1/4"	4-1/4"	10-1/4"	5	7540	6730	832
W8701160	16"	7/8"	17"	16-1/8"	19-1/4"	4-1/4"	11-1/4"	2	7540	6730	919
W8701180	18"	1"	19-1/8"	18-1/8"	21-5/8"	4-3/4"	12-5/8"	2	9920	8850	1067
W8701200	20"	1"	21-1/8"	20-1/8"	23-5/8"	4-3/4"	13-5/8"	1	9920	8850	1474
W8701240	24"	1"	25-1/8"	24-1/8"	27-5/8"	4-3/4"	15-5/8"	1	9920	8850	1708

PROJECT INFORMATION	APPROVAL STAMP
Project:	Notes:
Address:	
Contractor:	
Engineer:	
Date:	
Approved <input type="checkbox"/> Approved as Noted <input type="checkbox"/> Not Approved <input type="checkbox"/>	