



4100 13th St. SW, Canton, OH 44710  
866-997-8788 (866-99STRUT)

gregorystrut.com

G-STRUT is a product of Gregory Strut

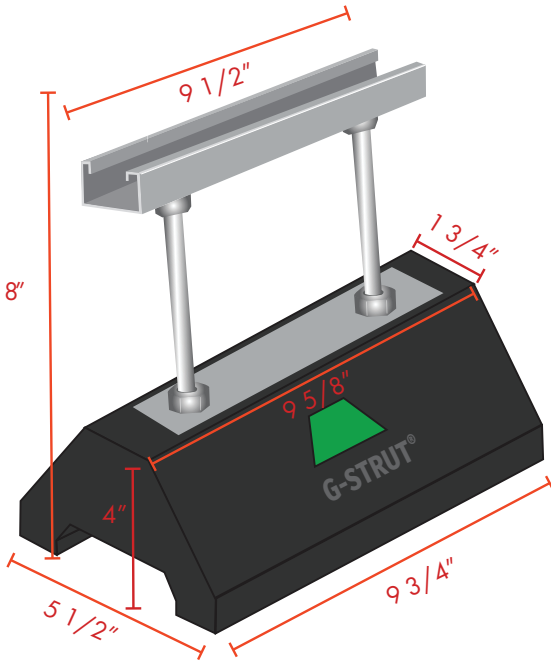
200 SERIES

# GRB208

ROOFTOP RISER SERIES WITH STRUT



Environmentally friendly blocks. Made from 100% recycled tires.



### GRB208 FEATURES AND BENEFITS

<b>Materials/finishes</b>	100% recycled rubber base; 1 5/8" x 13/16" pre-galvanized strut (9 1/2")
<b>Hardware</b>	100% recycled rubber base; 1 5/8" x 13/16" pre-galvanized strut (9 1/2")
<b>Safety</b>	Green reflector for high visibility and safety
<b>Weight (lbs.)</b>	7.1
<b>Height</b>	Packing height: 12" Minimum height: 8" Maximum height: 14"
<b>Static load capacity (lbs.)</b>	500
<b>Ordering</b>	129 pieces per skid
<b>Notes</b>	Load distribution plate is available (2") Fender washers included

#### PROJECT INFORMATION

Project: \_\_\_\_\_

Address: \_\_\_\_\_

Contractor: \_\_\_\_\_

Engineer: \_\_\_\_\_

Date: \_\_\_\_\_

Approved

Approved as noted

Not approved

#### APPROVAL STAMP

Notes: \_\_\_\_\_

\_\_\_\_\_  
\_\_\_\_\_  
\_\_\_\_\_  
\_\_\_\_\_  
\_\_\_\_\_



4100 13th St. SW, Canton, OH 44710  
866-997-8788 (866-99STRUT)

[gregorystrut.com](http://gregorystrut.com)

*G-STRUT is a product of Gregory Strut*

# 200 SERIES

## 200 SERIES OVERVIEW

- Comes pre-assembled at factory
- 14 gauge, 13/16" pre-galvanized steel channel
- Uses standard strut fittings and clamps
- 100% recycled rubber block
- UV resistant materials
- Green reflector for high visibility and safety
- Innovative design inhibits floating and shifting
- Freeze and thaw resistant
- LEED certifiable product
- Vibration dampening
- Compatible with most rooftop materials  
*(consult with roofing manufacturing or contractor)*

GRB208



GRB212



GRB216





4100 13th St. SW, Canton, OH 44710  
866-997-8788 (866-99STRUT)

[gregorystrut.com](http://gregorystrut.com)

G-STRUT is a product of Gregory Strut

# 200 SERIES

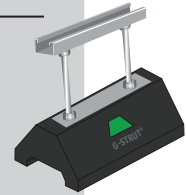


Environmentally friendly blocks. Made from 100% recycled tires.

## 200 SERIES

PART #	DESCRIPTION
--------	-------------

<b>GRB208</b>	9.8" channel with 8" riser rod and LDP
---------------	----------------------------------------



<b>GRB212</b>	9.8" channel with 12" riser rod and LDP
---------------	-----------------------------------------



<b>GRB216</b>	9.8" channel with 16" riser rod and LDP
---------------	-----------------------------------------

