



4100 13th St. SW, Canton, OH 44710
866-997-8788 (866-99STRUT)

gregorystrut.com

G-STRUT is a product of Gregory Strut

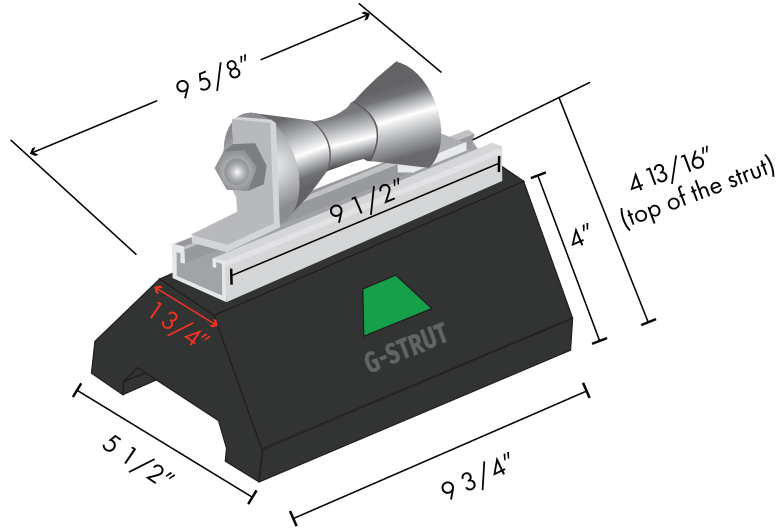
300 SERIES

GRB300

ROLLER STAND BLOCK



Environmentally friendly blocks. Made from 100% recycled tires.



GRB300 FEATURES AND BENEFITS

Materials/finishes	100% recycled rubber base
Safety	Green reflector for high visibility and safety
Weight (lbs.)	5-10
Static load capacity (lbs.)	500
Ordering	300-400 pieces per skid

PROJECT INFORMATION	APPROVAL STAMP
<p>Project: _____</p> <p>Address: _____</p> <p>Contractor: _____</p> <p>Engineer: _____</p> <p>Date: _____</p>	<p>Notes: _____</p> <p>_____</p> <p>_____</p> <p>_____</p> <p>_____</p>
<p>Approved Approved as noted Not approved</p>	



4100 13th St. SW, Canton, OH 44710
866-997-8788 (866-99STRUT)

gregorystrut.com

G-STRUT is a product of Gregory Strut

300 SERIES

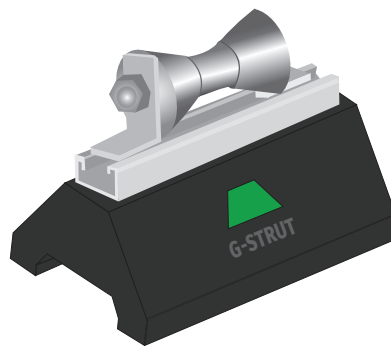


Environmentally
friendly blocks.
Made from 100%
recycled tires.

300 SERIES OVERVIEW

- Comes pre-assembled at factory
- 14 gauge, 13/16" pre-galvanized steel channel
- Uses standard strut fittings and clamps
- 100% recycled rubber block
- UV resistant materials
- Green reflector for high visibility and safety
- Innovative design inhibits floating and shifting
- Freeze and thaw resistant
- LEED certifiable product
- Vibration dampening
- Compatible with most rooftop materials
- Available in sizes 1" - 6"

GRB300 SERIES





4100 13th St. SW, Canton, OH 44710
866-997-8788 (866-99STRUT)

gregorystrut.com

G-STRUT is a product of Gregory Strut

300 SERIES



Environmentally friendly blocks. Made from 100% recycled tires.

300 SERIES

PART #	DESCRIPTION
GRB3100	1" roller stand on roof block
GRB3125	1 1/4" roller stand on roof block
GRB3150	1 1/2" roller stand on roof block
GRB3200	2" roller stand on roof block
GRB3250	2 1/2" roller stand on roof block
GRB3300	3" roller stand on roof block
GRB3350	3 1/2" roller stand on roof block
GRB3400	4" roller stand on roof block
GRB3500	5" roller stand on roof block
GRB3600	6" roller stand on roof block

