



G-STRUT 4100 13th Street SW, Canton OH 44710

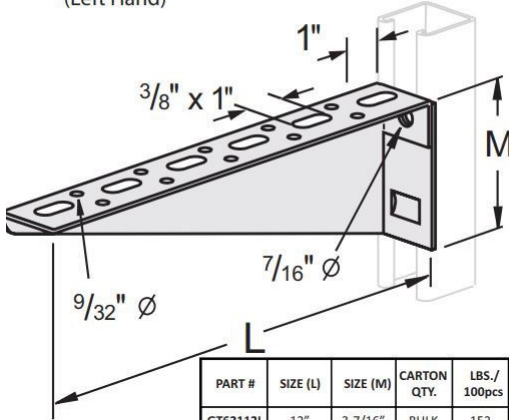
Phone: 866.997.8788 – Fax: 330.477.0626

www.gregorystrut.com

GT6211L, GT6211R, GT6222L, GT6222R

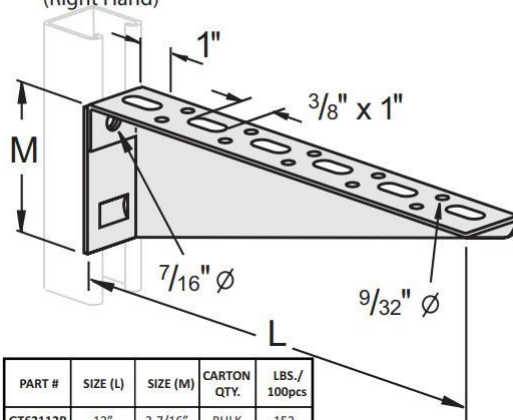
Shelf Bracket

12 GAUGE SHELF BRACKET W/ SLOTS
(Left Hand)



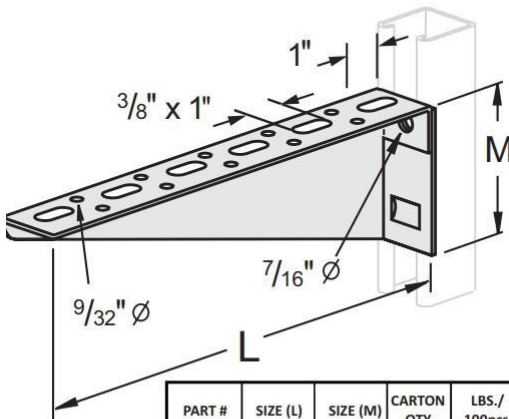
| PART # | SIZE (L) | SIZE (M) | CARTON QTY. | LBS./ 100pcs |
|----------|----------|----------|-------------|--------------|
| GT62112L | 12" | 3-7/16" | BULK | 152 |
| GT62114L | 14" | 3-15/16" | BULK | 173 |
| GT62116L | 16" | 4-7/16" | BULK | 223 |
| GT62118L | 18" | 4-15/16" | BULK | 266 |
| GT62120L | 20" | 5-7/16" | BULK | 295 |
| GT62122L | 22" | 5-15/16" | BULK | 361 |

12 GAUGE SHELF BRACKET W/ SLOTS
(Right Hand)



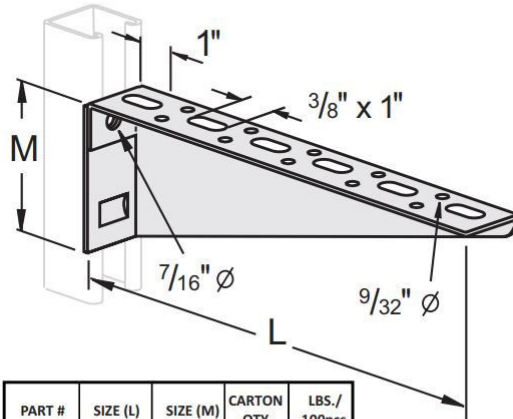
| PART # | SIZE (L) | SIZE (M) | CARTON QTY. | LBS./ 100pcs |
|----------|----------|----------|-------------|--------------|
| GT62112R | 12" | 3-7/16" | BULK | 152 |
| GT62114R | 14" | 3-15/16" | BULK | 173 |
| GT62116R | 16" | 4-7/16" | BULK | 223 |
| GT62118R | 18" | 4-15/16" | BULK | 266 |
| GT62120R | 20" | 5-7/16" | BULK | 295 |
| GT62122R | 22" | 5-15/16" | BULK | 361 |

12 GAUGE SHELF BRACKET W/ SLOTS
(Left Hand)



| PART # | SIZE (L) | SIZE (M) | CARTON QTY. | LBS./ 100pcs |
|----------|----------|----------|-------------|--------------|
| GT62224L | 24" | 6-7/16" | BULK | 400 |
| GT62226L | 26" | 6-15/16" | BULK | 456 |
| GT62228L | 28" | 7-7/16" | BULK | 479 |
| GT62230L | 30" | 7-15/16" | BULK | 544 |

12 GAUGE SHELF BRACKET W/ SLOTS
(Right Hand)



| PART # | SIZE (L) | SIZE (M) | CARTON QTY. | LBS./ 100pcs |
|----------|----------|----------|-------------|--------------|
| GT62224R | 24" | 6-7/16" | BULK | 400 |
| GT62226R | 26" | 6-15/16" | BULK | 456 |
| GT62228R | 28" | 7-7/16" | BULK | 479 |
| GT62230R | 30" | 7-15/16" | BULK | 544 |

* FINISH: ELECTRO-GALVANIZED *ALSO AVAILABLE IN STAINLESS STEEL & HOT DIP GALVANIZED *

| PROJECT INFORMATION | APPROVAL STAMP |
|--|----------------|
| Project: | Notes: |
| Address: | |
| Contractor: | |
| Engineer: | |
| Date: | |
| Approved <input type="checkbox"/> Approved as Noted <input type="checkbox"/> Not Approved <input type="checkbox"/> | |