

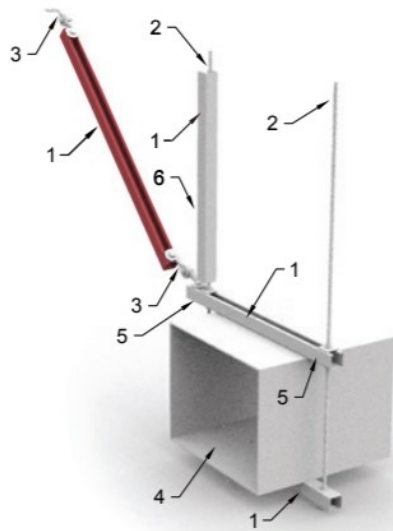
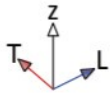


G-STRUT 4100 13<sup>th</sup> Street SW, Canton OH 44710

Phone: 866.997.8788 – Fax: 330.477.0626

[www.gregorystrut.com](http://www.gregorystrut.com)

## SINGLE DUCT WITH TRANSVERSE BRACE



SEISMIC CRITERIA  
 $\alpha_p = 2 \frac{1}{2}$   $R_p = 6$

VERTICAL FORCE  
 $F_{pv} = 0.280 \text{ g (ASD)}$

### MATERIALS LIST

- 1 G582 Strut (QTY 4)
- 2 1/2"  $\phi$  All Thread (QTY 2)
- 3 Seismic Hinges (QTY 2)
- 4 24" x 48" Max Duct (QTY -)
- 5 GN822 (QTY 4)
- 6 GRS375062 (QTY 3)

		WEIGHT (TOTAL PER FT.)	HANGER DIA. AND SPACING	SEISMIC PARAMETERS	BRACE SPACING (FT.)			
					$S_{05} \leq 1.00$ TRANS. SPACING (T)	SEISMIC FACTOR $F_{ph}$ (g) ASD	$1.00 < S_{05} \leq 2.00$ TRANS. SPACING (T)	SEISMIC FACTOR $F_{ph}$ (g) ASD
IMPORTANCE FACTOR, $I_p$	$I_p = 1.00$	15 plf	1/2" $\phi$	$z/h \leq 0.5$	56'0"	0.210	28'0"	0.420
			14'0"	$z/h \leq 1.0$	56'0"	0.233	28'0"	0.467
		30 plf	1/2" $\phi$	$z/h \leq 0.5$	36'0"	0.210	24'0"	0.420
			12'0"	$z/h \leq 1.0$	36'0"	0.233	24'0"	0.467
	$I_p = 1.50$	15 plf	1/2" $\phi$	$z/h \leq 0.5$	60'0"	0.263	36'0"	0.630
			12'0"	$z/h \leq 1.0$	60'0"	0.350	24'0"	0.700
30 plf	1/2" $\phi$	$z/h \leq 0.5$	40'0"	0.263	10'0"	0.630		
	10'0"	$z/h \leq 1.0$	30'0"	0.350	10'0"	0.700		

PROJECT INFORMATION	APPROVAL STAMP
Project:	Notes:
Address:	
Contractor:	
Engineer:	
Date:	
Approved <input type="checkbox"/> Approved as Noted <input type="checkbox"/> Not Approved <input type="checkbox"/>	