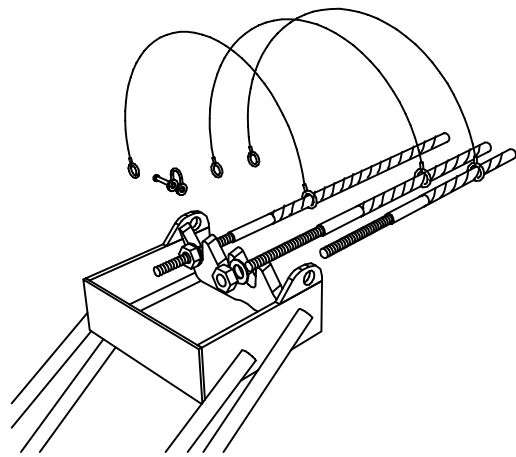
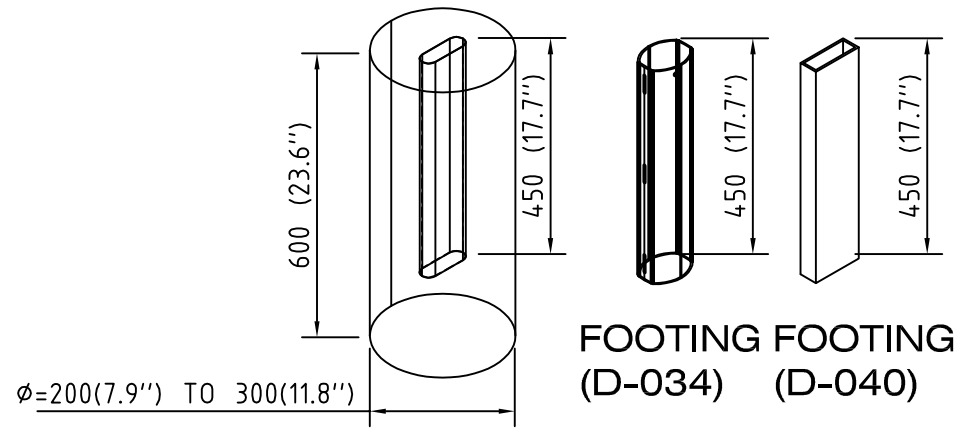


NCHRP 350 TL3		
POST TYPE	POST DISTANCE	ELONGATION
D 041	10,0 m (33,0')	3,7 m (12,1')

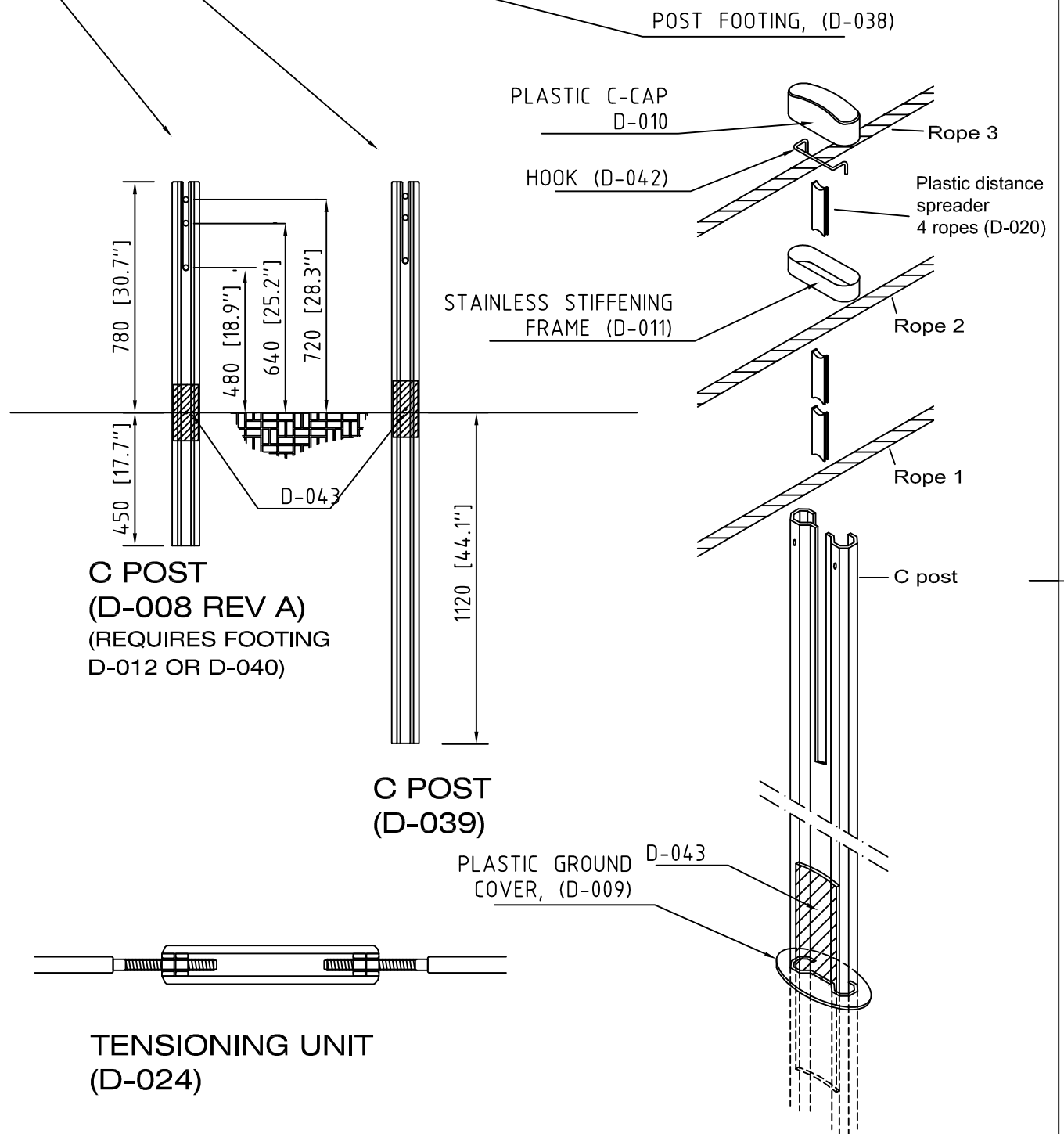


WIRE ANCHOR FITTING (D-018)



FOOTING (D-012)

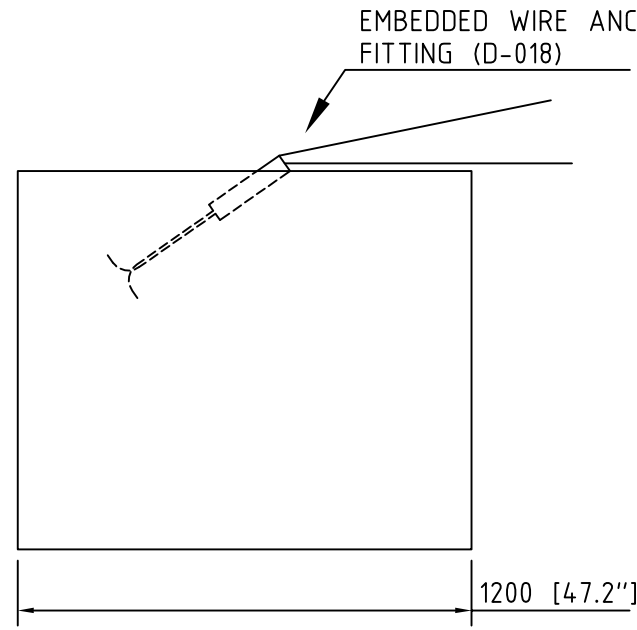
FOOTING FOOTING (D-034) (D-040)



C POST (D-008 REV A) (REQUIRES FOOTING D-012 OR D-040)

C POST (D-039)

TENSIONING UNIT (D-024)



ANCHOR

Safence Inc. accepts no liability for any changes made to the enclosed drawings of the Safence II System and the Safence II Terminal. These drawings are to only be used by State designers and engineers and may not be altered. Safence is not responsible for any modifications or changes to the enclosed documents

Designed MH	Drawn NM	Approved - date 2007-03-04	Units m (ft) , mm (inch)	Proj. [Symbol]	Scale -
<b>SAFENCE ink</b> 46-04 245th Street Douglaston NY 1132 USA Phone: 718 229 0046 Cell: +646 752 3810			Material Name SAFENCE 3 RC, PATENT PENDING		Issue
			Drawing No. SRB-015		Sheet