

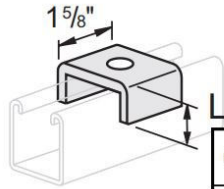


G-STRUT 4100 13th Street SW, Canton OH 44710
 Phone: 866.997.8788 – Fax: 330.477.0626
www.gregorystrut.com

G626, G609, G602, G618, G610, G612, G613

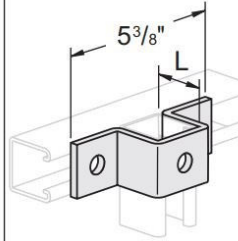
U Fittings

U SADDLE WASHER



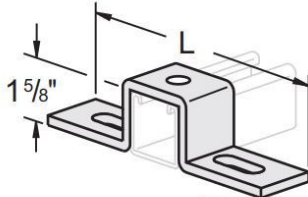
PART #	SIZE (L)	CARTON QTY.	LBS./ 100pcs
G626	1/4"	50	18
G6262	3/8"	50	18
G6263	1/2"	50	18
G6264	5/8"	50	17
G6265	3/4"	50	17

3 HOLE U SUPPORT



PART #	SIZE (L)	CARTON QTY.	LBS./ 100pcs
G6091	2-7/16"	15	108
G6092	1-5/8"	25	95
G6093	1-3/8"	25	70
G6094	1"	25	66
G6095	13/16"	25	62
G6096	4-7/8"	10	197
G6097	6-1/2"	10	200

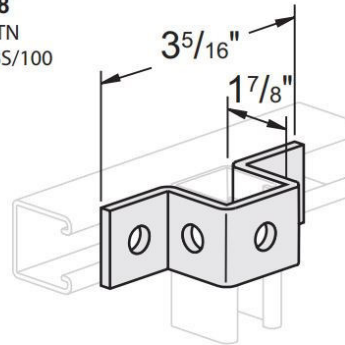
3 HOLE ADJUSTABLE U SUPPORT



PART #	SIZE (L)	CARTON QTY.	LBS./ 100pcs
G6021	7-1/4"	10	96
G6022	8-1/4"	10	111
G6023	10-3/8"	10	129

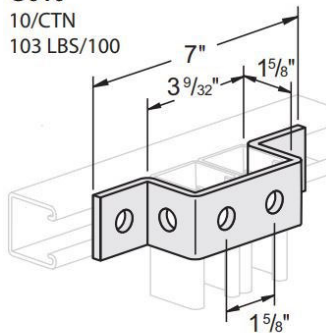
5 HOLE U SUPPORT

G618
 15/CTN
 71 LBS/100



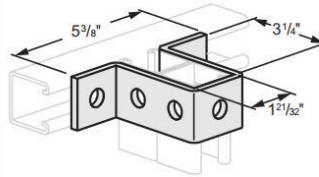
6 HOLE DOUBLE U SUPPORT

G610
 10/CTN
 103 LBS/100



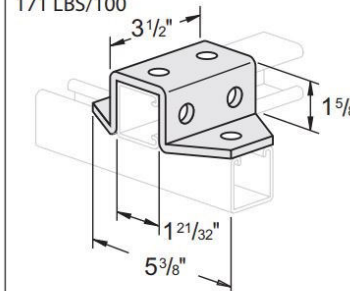
7 HOLE DOUBLE U SUPPORT

G612
 25/CTN
 121 LBS/100



8 HOLE INTERSECTING U SUPPORT

G613
 10/CTN
 171 LBS/100



* MATERIAL IS 1-5/8" WIDE x 1/4" THICK UNLESS SPECIFIED • HOLES ARE 9/16" DIAMETER UNLESS SPECIFIED *

PROJECT INFORMATION	APPROVAL STAMP
Project:	Notes:
Address:	
Contractor:	
Engineer:	
Date:	
Approved <input type="checkbox"/> Approved as Noted <input type="checkbox"/> Not Approved <input type="checkbox"/>	