

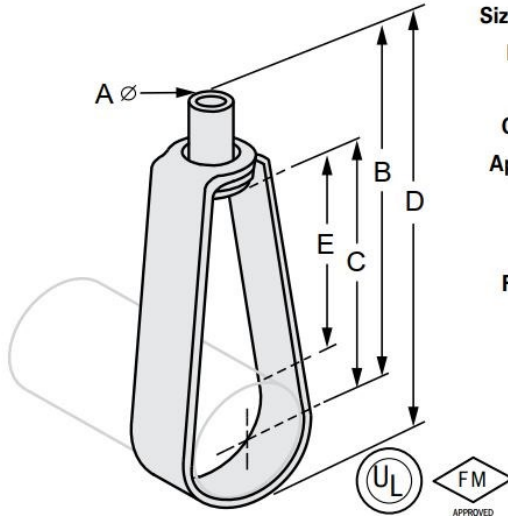


G-STRUT 4100 13<sup>th</sup> Street SW, Canton OH 44710

Phone: 866.997.8788 – Fax: 330.477.0626

[www.gregorystrut.com](http://www.gregorystrut.com)

## IRON PIPE SWIVEL RING – SERIES W300 - W302



**Size Range:** 1/2" through 8" pipe size.

**Material:** Pre-Galvanized Carbon Steel with a Zinc Electroplate insert nut.

**Finish:** Pre-Galvanized

**Ordering:** Specify rod size; pipe size; finish and series #.

**Approvals:** UL Listing and FM Approved. Complies with Federal Specification WW-H-171E (Type 10) and A-A-1192A (Type 10) and Manufacturers Standardization Society SP-69 (Type 10) and NFPA standards for reduced rod sizes.

**Function:** Design and recommended for suspension of non-insulated stationary pipe lines. The hanger may be installed prior to the erection of piping and also allows for vertical adjustment after installation.

**Note:** Can order this part with a washer up to 3/8" size (A). Cut off is 2" for the washer.

\*Series W301 is with a clear washer\*

\*Series W302 is with a blue washer\*

| PART #  | PIPE SIZE | SIZE (A) | SIZE (B) | SIZE (C) | SIZE (D) | SIZE (E) | MAXIMUM RECOMMENDED LOAD(lbs.) | CARTON QTY. | LBS./100pcs |
|---------|-----------|----------|----------|----------|----------|----------|--------------------------------|-------------|-------------|
| W300404 | 1/2"      | 3/8"     | 2-1/2"   | 1-1/2"   | 3"       | 1-1/8"   | 400                            | 100         | 8           |
| W300406 | 3/4"      | 3/8"     | 2-5/8"   | 1-3/4"   | 3-1/8"   | 1-1/8"   | 400                            | 100         | 9           |
| W300410 | 1"        | 3/8"     | 2-3/4"   | 1-7/8"   | 3-3/8"   | 1-1/8"   | 400                            | 100         | 10          |
| W300412 | 1-1/4"    | 3/8"     | 2-7/8"   | 2-1/8"   | 3-3/4"   | 1-1/8"   | 400                            | 100         | 11          |
| W300414 | 1-1/2"    | 3/8"     | 3"       | 2-1/4"   | 4"       | 1-1/8"   | 400                            | 100         | 13          |
| W300420 | 2"        | 3/8"     | 3-3/8"   | 2-1/2"   | 4-5/8"   | 1-1/8"   | 400                            | 100         | 14          |
| W300424 | 2-1/2"    | 3/8"     | 4"       | 3-1/8"   | 5-1/2"   | 1-3/8"   | 600                            | 50          | 30          |
| W300430 | 3"        | 3/8"     | 4-5/8"   | 3-5/8"   | 6-3/8"   | 1-5/8"   | 600                            | 50          | 32          |
| W300434 | 3-1/2"    | 3/8"     | 5"       | 4"       | 7"       | 1-3/4"   | 600                            | 50          | 36          |
| W300440 | 4"        | 3/8"     | 5-1/4"   | 4-1/8"   | 7-1/2"   | 1-5/8"   | 1000                           | 25          | 44          |
| W300450 | 5"        | 1/2"     | 6"       | 5"       | 8-3/4"   | 1-7/8"   | 1000                           | 20          | 56          |
| W300460 | 6"        | 1/2"     | 7"       | 6"       | 10-3/8"  | 2-1/8"   | 1250                           | 20          | 116         |
| W300480 | 8"        | 1/2"     | 8-1/4"   | 7-1/8"   | 12-5/8"  | 2-3/8"   | 1250                           | 10          | 150         |

All above pipe swivel rings are pre-galv. To order other finishes, change the 5th character in the Part # as seen below:

PRE GALVANIZED WITH FELT LINING = 12

Example: **W300,4<sup>0</sup>4** = PRE GALV W/ FELT  
12

| PROJECT INFORMATION  | APPROVAL STAMP |
|--|----------------|
| Project:   | Notes:         |
| Address:   |                |
| Contractor:  |                |
| Engineer:  |                |
| Date:  |                |
| Approved <input type="checkbox"/> Approved as Noted <input type="checkbox"/> Not Approved <input type="checkbox"/> |                |