

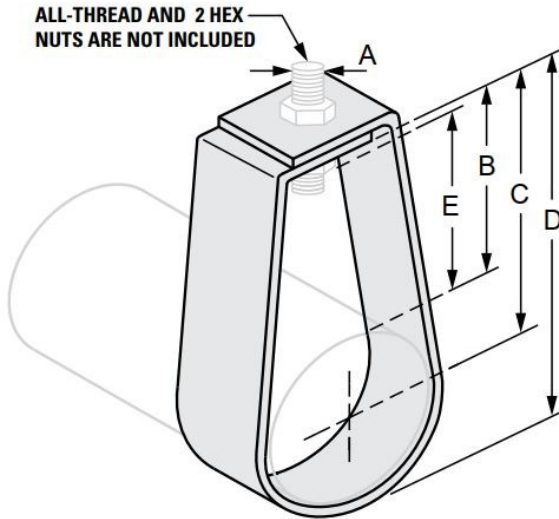


G-STRUT 4100 13th Street SW, Canton OH 44710

Phone: 866.997.8788 – Fax: 330.477.0626

www.gregorystrut.com

STAINLESS STEEL BAND HANGER – SERIES W330



- Size Range:** 1/2" through 8" pipe size.
- Material:** Stainless Steel.
- Finish:** Stainless Steel 304 or Stainless Steel 316.
- Ordering:** Specify rod size; pipe size; finish and series #.
- Approvals:** Complies with Federal Specification WW-H-171E (Type 7) and A-A-1192A (Type10) and Manufacturers Standardization Society SP-69 (Type 7).
- Function:** This hanger is formed in one piece giving a double thickness of stock at the point which carries the load. It has a vertical adjustment of 5/8" to 2" by means of a suspended steel rod threaded and two nuts. The lower nut adjust the pipe line to the proper pitch and the top nut due to vibration. The nuts are not included in the price of the hanger.
- Available In:** Plain Felt Lined, Electro-Galvanized, Plain with PVC Coating.

PART #	PIPE SIZE	SIZE (A)	SIZE (B)	SIZE (C)	SIZE (D)	SIZE (E)	MAXIMUM RECOMMENDED LOAD(lbs.)	CARTON QTY.	LBS./100pcs
W330804	1/2"	3/8"	1-1/8"	1-5/8"	2"	13/16"	610	BULK	10
W330806	3/4"	3/8"	1-1/8"	1-5/8"	2-1/8"	13/16"	610	BULK	12
W330810	1"	3/8"	1-1/4"	2"	2-5/8"	1"	610	BULK	14
W330812	1-1/4"	3/8"	1-3/8"	2-1/8"	3"	1"	610	BULK	16
W330814	1-1/2"	3/8"	1-1/2"	2-1/2"	3-3/8"	1-1/4"	610	BULK	17
W330820	2"	3/8"	1-3/4"	3"	4-1/8"	1-1/2"	610	BULK	32
W330824	2-1/2"	1/2"	1-5/8"	3"	4-1/2"	1-1/8"	970	BULK	36
W330830	3"	1/2"	1-1/2"	2"	2-5/8"	1"	970	BULK	57
W330840	4"	5/8"	1-1/2"	2-1/8"	3"	1"	970	BULK	68
W330850	5"	5/8"	2-1/8"	2-1/2"	3-3/8"	1-1/4"	970	BULK	82
W330860	6"	3/4"	2-3/8"	3"	4-1/8"	1-1/2"	1250	BULK	120
W330880	8"	3/4"	2-3/8"	3"	4-1/2"	1-1/8"	1800	BULK	220

All above band hangers are 304 stainless.
 To order other finishes, change the 5th character in the Part # as seen below:
 PLAIN W/ FELT LINING = 13
 PLAIN W/ PVC COATING = 5
 ELECTRO-GALVANIZED = 2
 Example: **W300**~~4~~**804** = ELECTRO-GALV
 2

PROJECT INFORMATION	APPROVAL STAMP
Project:	Notes:
Address:	
Contractor:	
Engineer:	
Date:	
Approved <input type="checkbox"/> Approved as Noted <input type="checkbox"/> Not Approved <input type="checkbox"/>	