

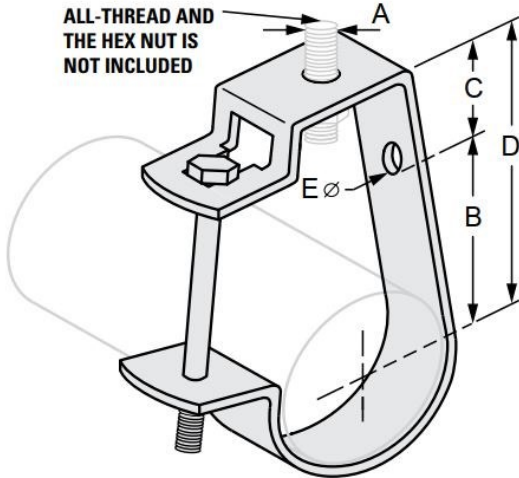


G-STRUT 4100 13th Street SW, Canton OH 44710

Phone: 866.997.8788 – Fax: 330.477.0626

www.gregorystrut.com

CONDUIT J-TYPE HANGER – SERIES W340



Size Range: 1/2" through 8" pipe size.
Material: Carbon Steel.
Finish: Electro-Galvanized.
Ordering: Specify rod size; pipe size; finish and series #.
Approvals: Complies with Federal Specification and A-A-1192A (Type 5) and Manufacturers Standardization Society SP-69 (Type 5).
Function: Recommended for the suspension of non-insulated stationary pipe lines. The "T" slot in the hanger permits the side bolt to be installed after installation and setting of pipe. The side hole permits optional wall mounting.
Available In: Electro-Galvanized with Felt Lining, Electro-Galvanized with PVC Coating.

PART #	PIPE SIZE	SIZE (A)	SIZE (B)	SIZE (C)	SIZE (D)	SIZE (E)	MAXIMUM RECOMMENDED LOAD(lbs.)	CARTON QTY.	LBS./100pcs
W340204	1/2"	3/8"	2"	1"	2-5/8"	13/32"	400	100	20
W340206	3/4"	3/8"	2-1/4"	1"	2-7/8"	13/32"	400	100	23
W340210	1"	3/8"	2-3/8"	1"	3"	13/32"	400	100	24
W340212	1-1/4"	3/8"	2-1/2"	1"	3-1/4"	13/32"	400	100	27
W340214	1-1/2"	3/8"	2-5/8"	1"	3-1/2"	13/32"	400	100	29
W340220	2"	3/8"	2-5/8"	1-1/8"	3-3/4"	13/32"	400	100	32
W340224	2-1/2"	1/2"	3-5/8"	1-1/8"	4-3/8"	9/16"	800	50	71
W340230	3"	1/2"	4"	1-1/8"	2-7/8"	9/16"	800	50	77
W340230	3-1/2"	1/2"	4-1/4"	1-1/8"	5-1/8"	9/16"	800	50	84
W340240	4"	5/8"	5-1/8"	1-1/8"	6-1/8"	9/16"	800	25	139
W340250	5"	5/8"	5-3/4"	1-1/8"	6-3/4"	9/16"	800	20	166
W340260	6"	3/4"	6-1/2"	1-1/4"	7-3/4"	9/16"	1000	20	226
W340280	8"	7/8"	8"	1-1/4"	9-1/4"	9/16"	1200	10	332

All above j-type hangers are electro-galv. To order other finishes, change the 5th character in the Part # as seen below:
 ELECTRO-GALVANIZED W/ FELT LINING = 14
 ELECTRO-GALVANIZED W/ PVC COATING = 15
 Example: **W340204** = ELECTRO-GALV W/ FELT
14

PROJECT INFORMATION	APPROVAL STAMP
Project:	Notes:
Address:	
Contractor:	
Engineer:	
Date:	
Approved <input type="checkbox"/> Approved as Noted <input type="checkbox"/> Not Approved <input type="checkbox"/>	