

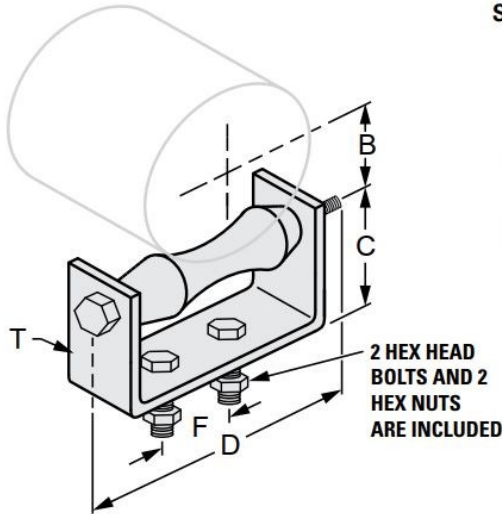


G-STRUT 4100 13th Street SW, Canton OH 44710

Phone: 866.997.8788 – Fax: 330.477.0626

www.gregorystrut.com

CHAIR TYPE ROLLER SUPPORT – SERIES W620



- Size Range:** 2" through 24" pipe size.
- Material:** Cast Iron Roller, Carbon Steel Chair and Hardware.
- Finish:** Plain.
- Ordering:** Specify rod size; pipe size; finish and series #.
- Function:** Pipe support designed for pipe lines where horizontal movement may take place due to expansion and contraction.

PART #	PIPE SIZE	SIZE (B)	SIZE (C)	SIZE (D)	THICKNESS (T)	SIZE (F)	MAXIMUM RECOMMENDED LOAD(lbs.)	LBS./100pcs
W620120	2"	1-5/8"	1-1/2"	3-7/8"	3 ga. x 1-1/4"	1-1/4"	390	106
W620124	2-1/2"	2"	1-5/8"	5"	3 ga. x 1-1/4"	1-1/4"	390	144
W620130	3"	2-1/4"	1-3/4"	5-3/8"	3 ga. x 1-1/4"	2"	390	163
W620134	3-1/2"	2-5/8"	2"	6-1/4"	3/8" x 1-1/2"	2"	390	252
W620140	4"	2-3/4"	2-1/4"	6-3/4"	3/8" x 1-1/2"	2"	950	288
W620150	5"	3-1/2"	2-1/2"	8"	3/8" x 1-1/2"	3"	950	400
W620160	6"	4"	2-3/4"	9-1/8"	3/8" x 2"	3-1/4"	950	625
W620180	8"	5-1/8"	3"	11-1/2"	3/8" x 2"	3-3/8"	1350	731
W6201100	10"	6-3/8"	3-5/8"	14-1/4"	1/2" x 2"	5-1/4"	1750	1158
W6201120	12"	7-1/2"	4-1/8"	16-1/4"	1/2" x 2"	5-1/2"	2400	1525
W6201140	14"	8-3/8"	4-5/8"	18"	1/2" x 2-1/2"	6-1/2"	3130	2807
W6201160	16"	9-1/2"	5-3/8"	20"	1/2" x 3"	8-1/4"	3970	3493
W6201180	18"	10-1/2"	6-5/8"	23"	1/2" x 3"	9-1/4"	2400	4435
W6201200	20"	11-5/8"	6-3/8"	26"	5/8" x 3"	10-3/8"	4550	5634
W6201240	24"	14"	9-1/4"	30"	3/4" x 4"	12-1/4"	6160	8752

PROJECT INFORMATION	APPROVAL STAMP
Project:	Notes:
Address:	
Contractor:	
Engineer:	
Date:	
Approved <input type="checkbox"/> Approved as Noted <input type="checkbox"/> Not Approved <input type="checkbox"/>	