

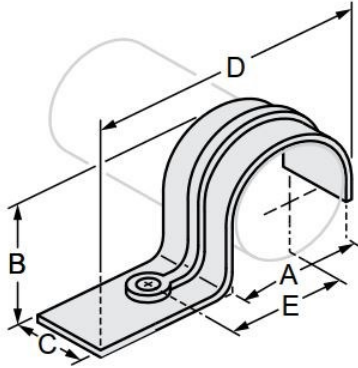


G-STRUT 4100 13th Street SW, Canton OH 44710

Phone: 866.997.8788 – Fax: 330.477.0626

www.gregorystrut.com

ONE-HOLE CLIP – SERIES W655



Material: Carbon Steel.

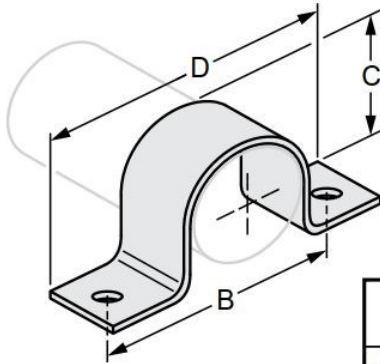
Finish: Electro-Galvanized Zinc.

Ordering: Specify rod size; length, finish and series #.

Function: Design to eliminate possible movement of the beam clamp due to vibration.

PART #	PIPE SIZE	SIZE (A)	SIZE (B)	SIZE (C)	SIZE (D)	SIZE (E)
W655104	1/2"	5/8"	5/8"	3/4"	1-3/4"	3/4"
W655106	3/4"	7/8"	7/8"	3/4"	2-1/8"	1"
W655110	1"	1-1/8"	1-1/8"	7/8"	2-5/8"	1-1/4"
W655112	1-1/4"	1-1/2"	1-1/2"	7/8"	3-1/4"	1-5/8"
W655114	1-1/2"	1-3/4"	1-3/4"	1-1/4"	3-3/4"	1-5/8"
W655120	2"	2-1/8"	2-1/8"	1-1/2"	4-1/8"	2"

TWO-HOLE STRAP – SERIES W665



Size Range: 3/8" through 2" pipe size.

Material: Low Carbon Steel.

Finish: Electro-Galvanized

Ordering: Specify pipe size and series #.

Function: Design to hold pipe flush with the mounting surface.

PART #	PIPE SIZE	SIZE (B)	SIZE (C)	SIZE (D)	LBS./100pcs
W665203	3/8"	2-3/8"	1-5/8"	5/8"	3
W665204	1/2"	2-5/8"	1-7/8"	7/8"	4
W665206	3/4"	2-3/4"	2"	1-1/8"	5
W665210	1"	3-3/8"	2-5/8"	1-1/4"	6
W665212	1-1/4"	4-1/4"	3-1/4"	1-5/8"	8
W665214	1-1/2"	4-1/2"	3-1/2"	1-7/8"	10
W665220	2"	5-1/2"	4-1/8"	2-3/8"	13

PROJECT INFORMATION	APPROVAL STAMP
Project:	Notes:
Address:	
Contractor:	
Engineer:	
Date:	
Approved <input type="checkbox"/> Approved as Noted <input type="checkbox"/> Not Approved <input type="checkbox"/>	